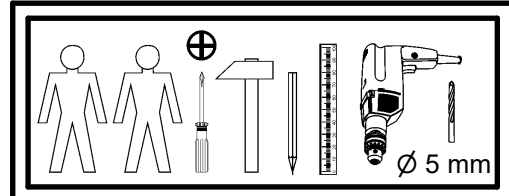
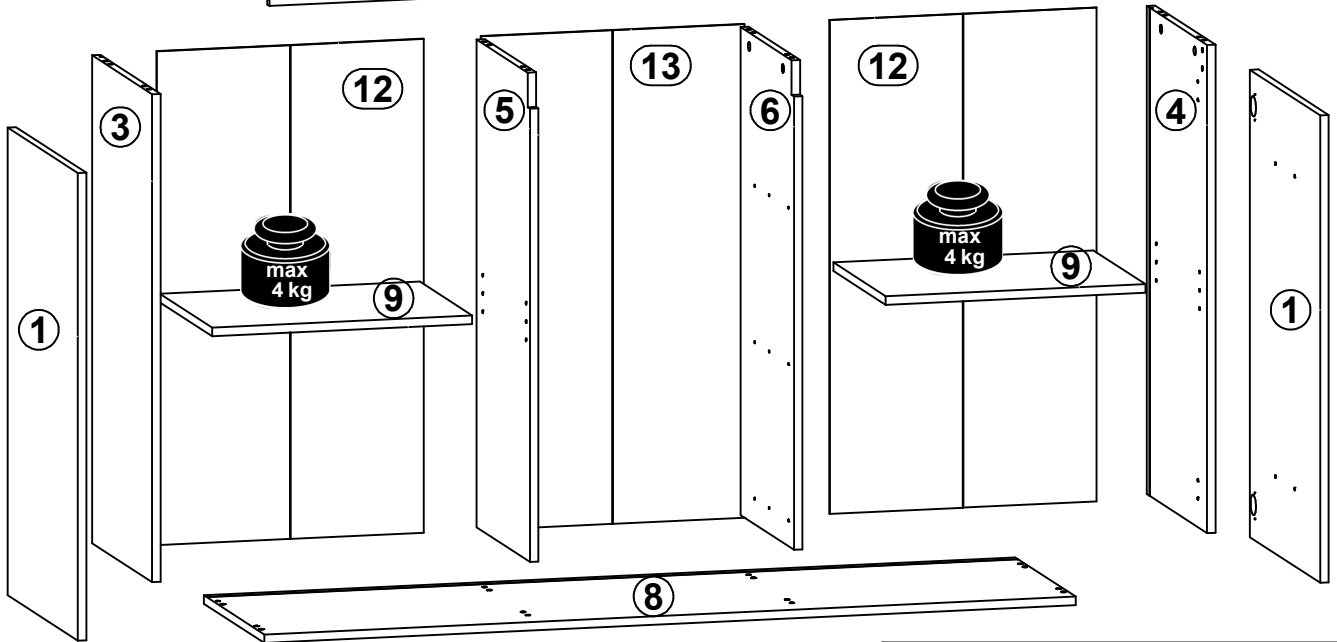
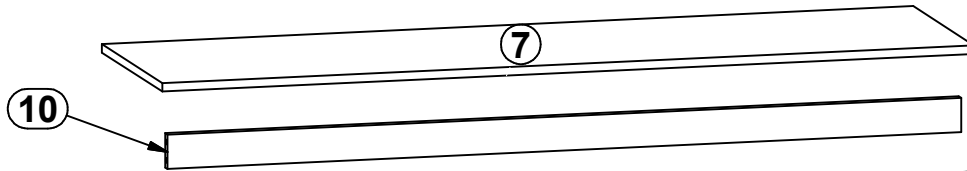
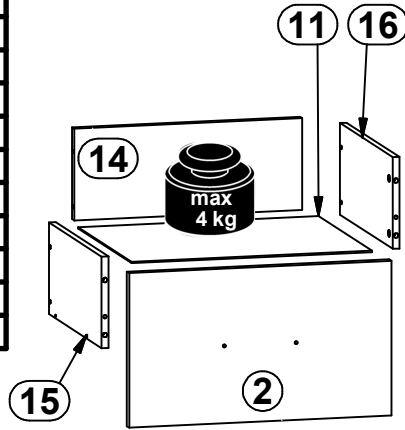
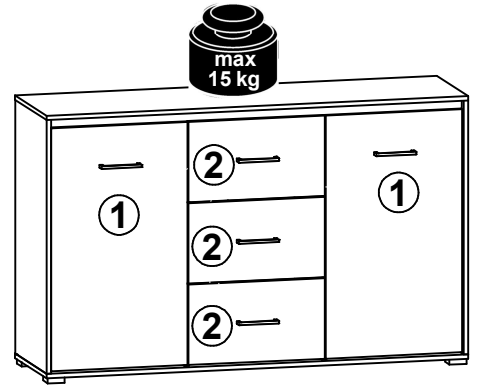
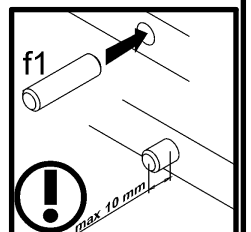
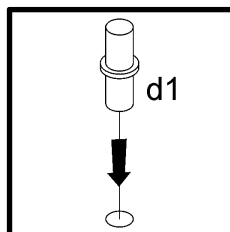
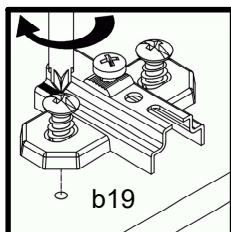
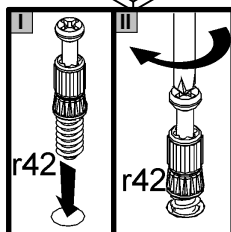
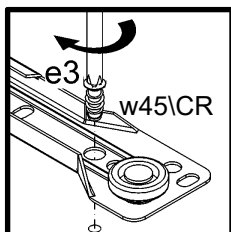
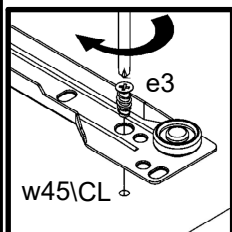
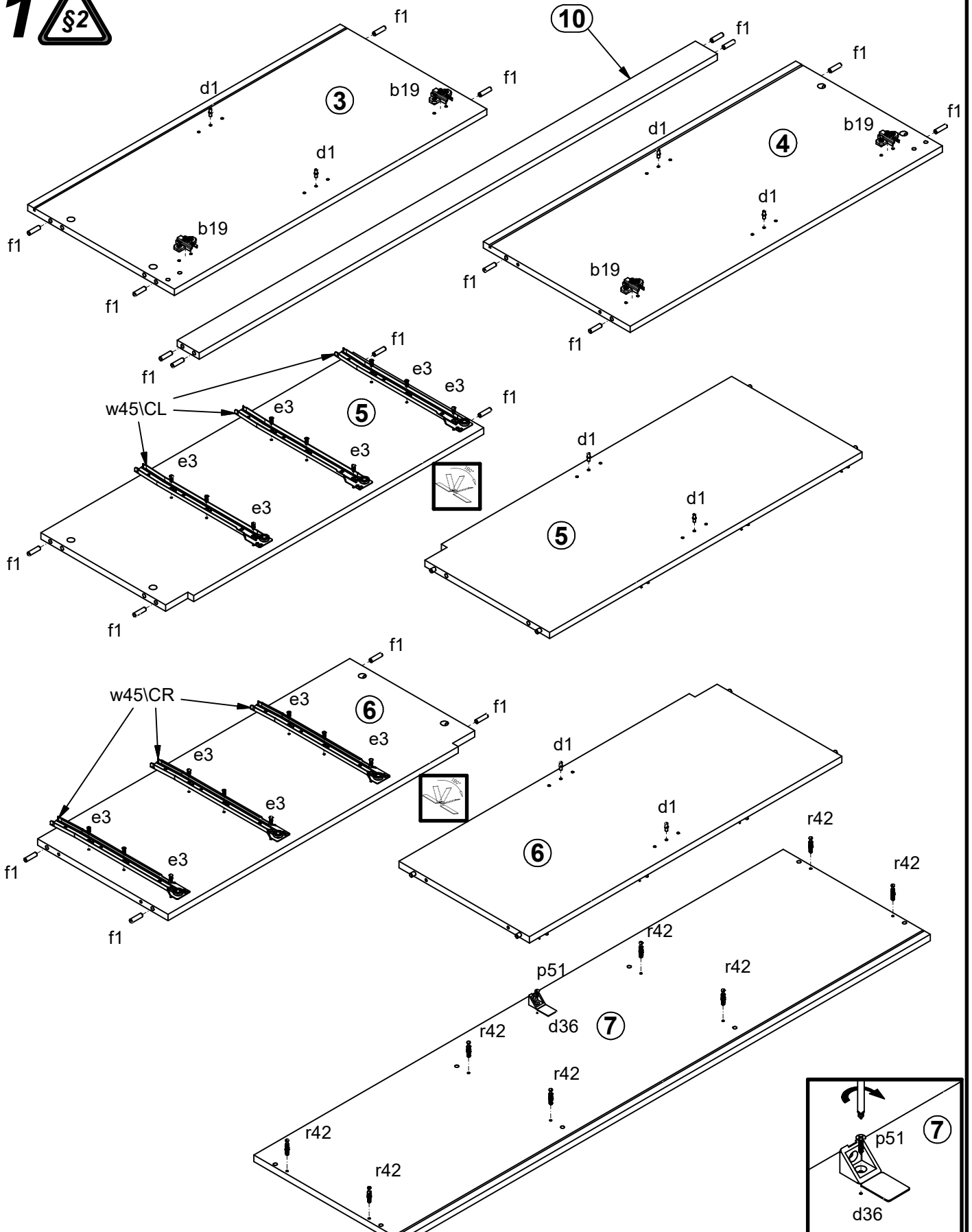


A	B	C	D	
1	S399-0010	816	467	3/3
2	S399-0011	467	270	3/3
3	S399-1013	852	400	1/3
4	S399-1014	852	400	1/3
5	S399-1015	852	356	1/3
6	S399-1016	852	356	1/3
7	S399-2009	1444	401	2/3
8	S399-2010	1444	401	2/3
9	S399-3006	463	346	2/3
10	S399-4003	1413	60	2/3
11	S399-9005	428	355	2/3
12	S399-9303	862	475	1/3
13	S399-9304	862	469	1/3
14	ZS3-5713	406	160	2/3
15	ZS4-537	350	160	2/3
16	ZS4-538	350	160	2/3

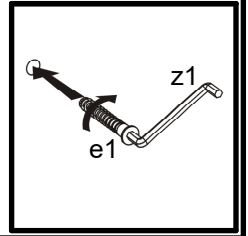
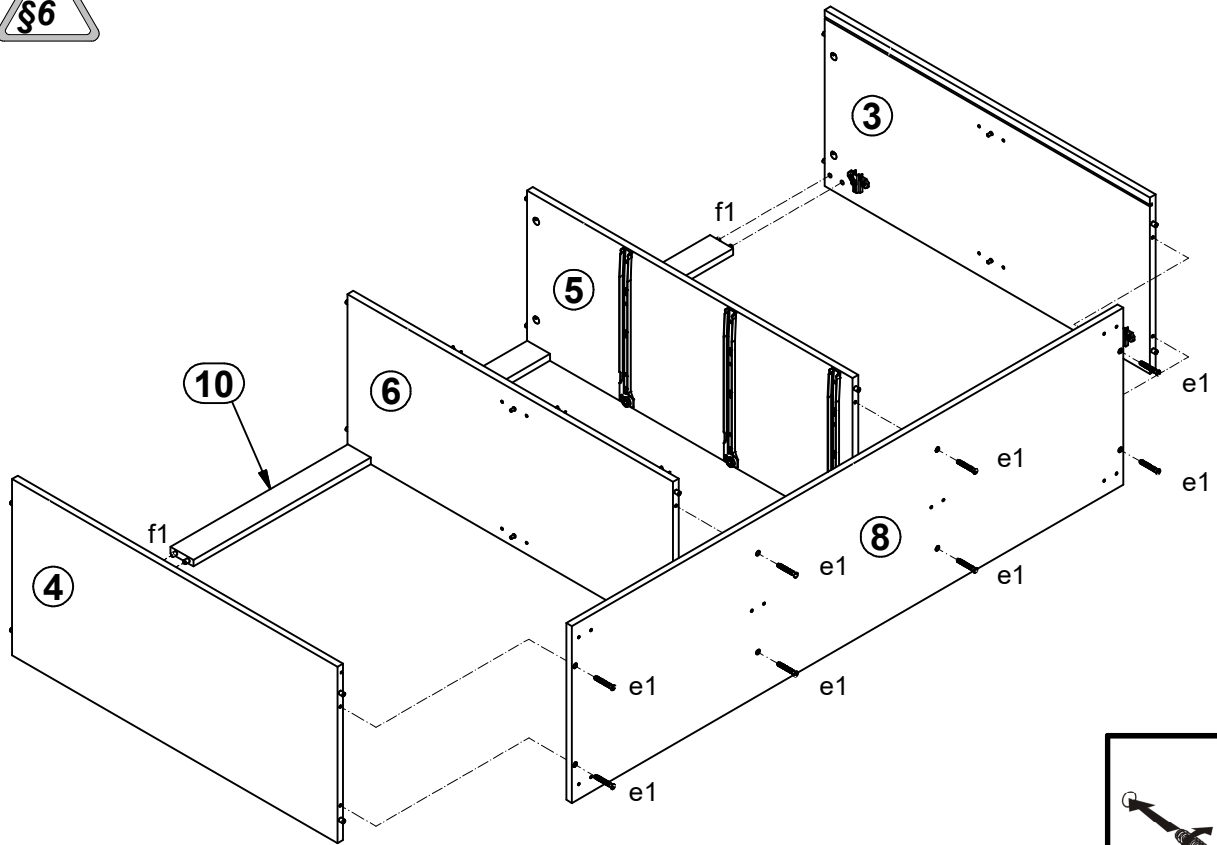


4x K16 a43	4x b19	5x 128mm c405	8x Ø5x17 mm d1	1x d36	8x Ø7x50 mm e1	12x Ø5x9 mm e19	30x Ø6x13 mm e3	20x Ø8x30 mm f1
12x Ø6,5x40 mm f25	6x Ø6x30 mm f9	6x k82\1	6x k82\2	18x l2	10x 20x13x3,5\1 n108	10x silikon o21	9x Ø3,5x16 mm p38	10x Ø3,5x15 mm p51
10x Ø2,9x16 mm p55	10x Ø4x25 mm p87	8x Ø15x12 mm #16 r1	12x Ø12x10,5 mm #12 r15	20x 20\11 r42	3x 350 mm w45\CL	3x 350 mm w45\CR	3x 350 mm w45\DL	3x 350 mm w45\DR
4x s2	1x 4 mm z1						1x n26\1	1x Ø3,5x16 mm p38

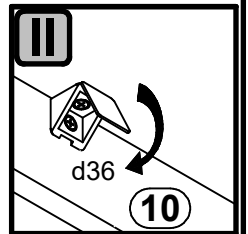
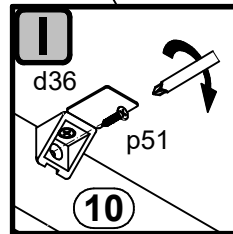
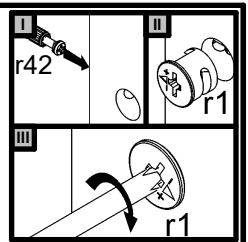
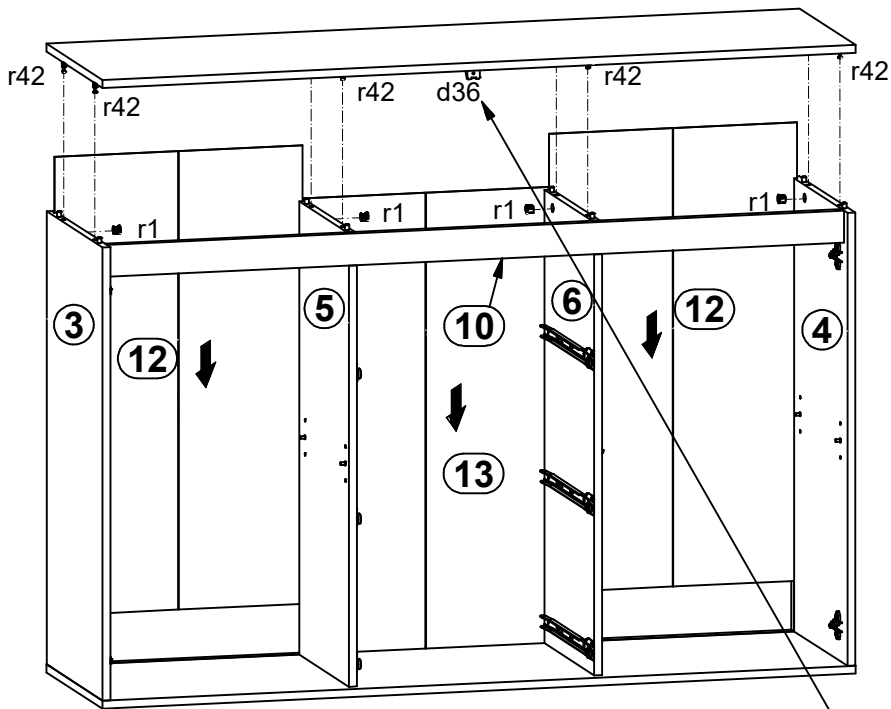
1 



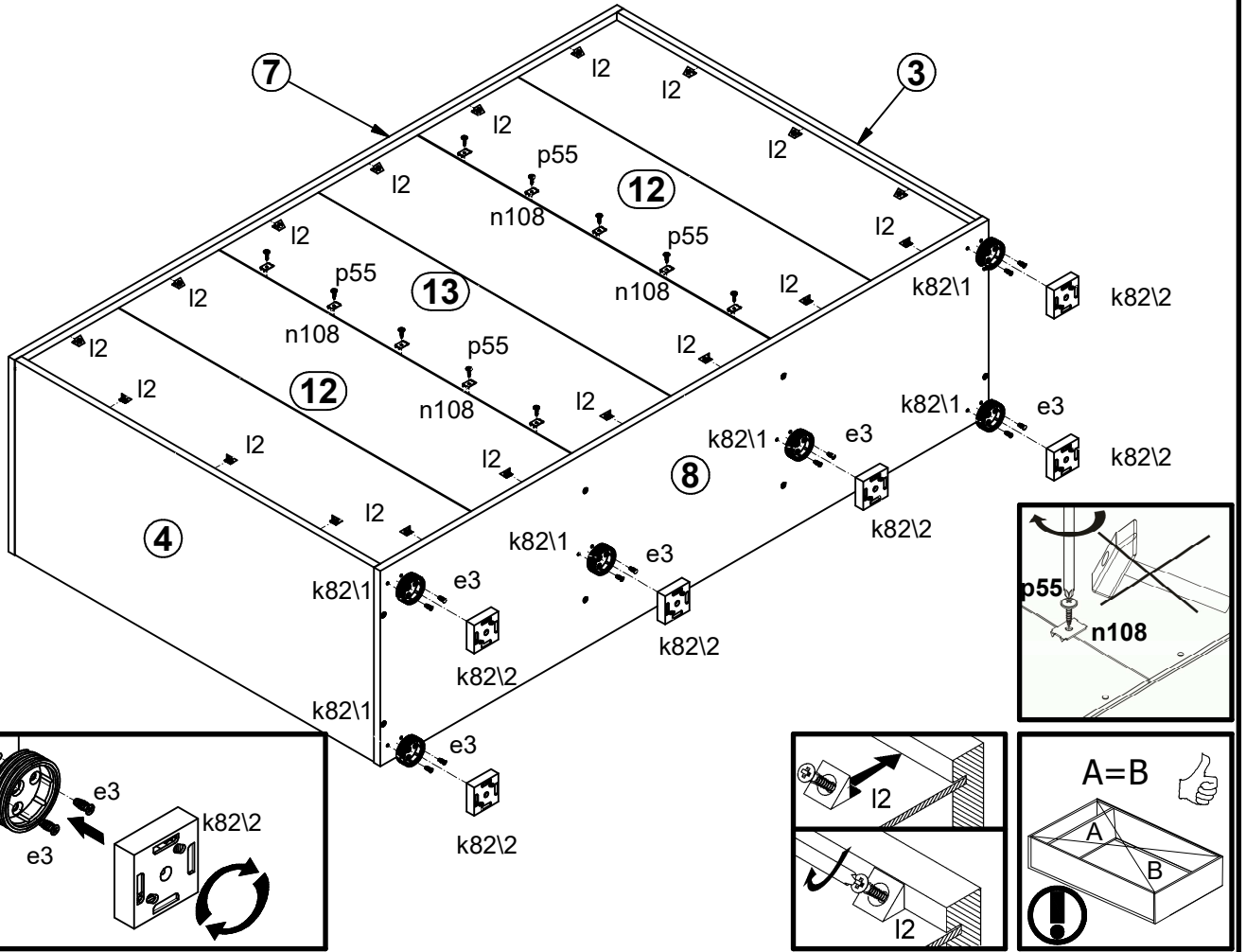
2



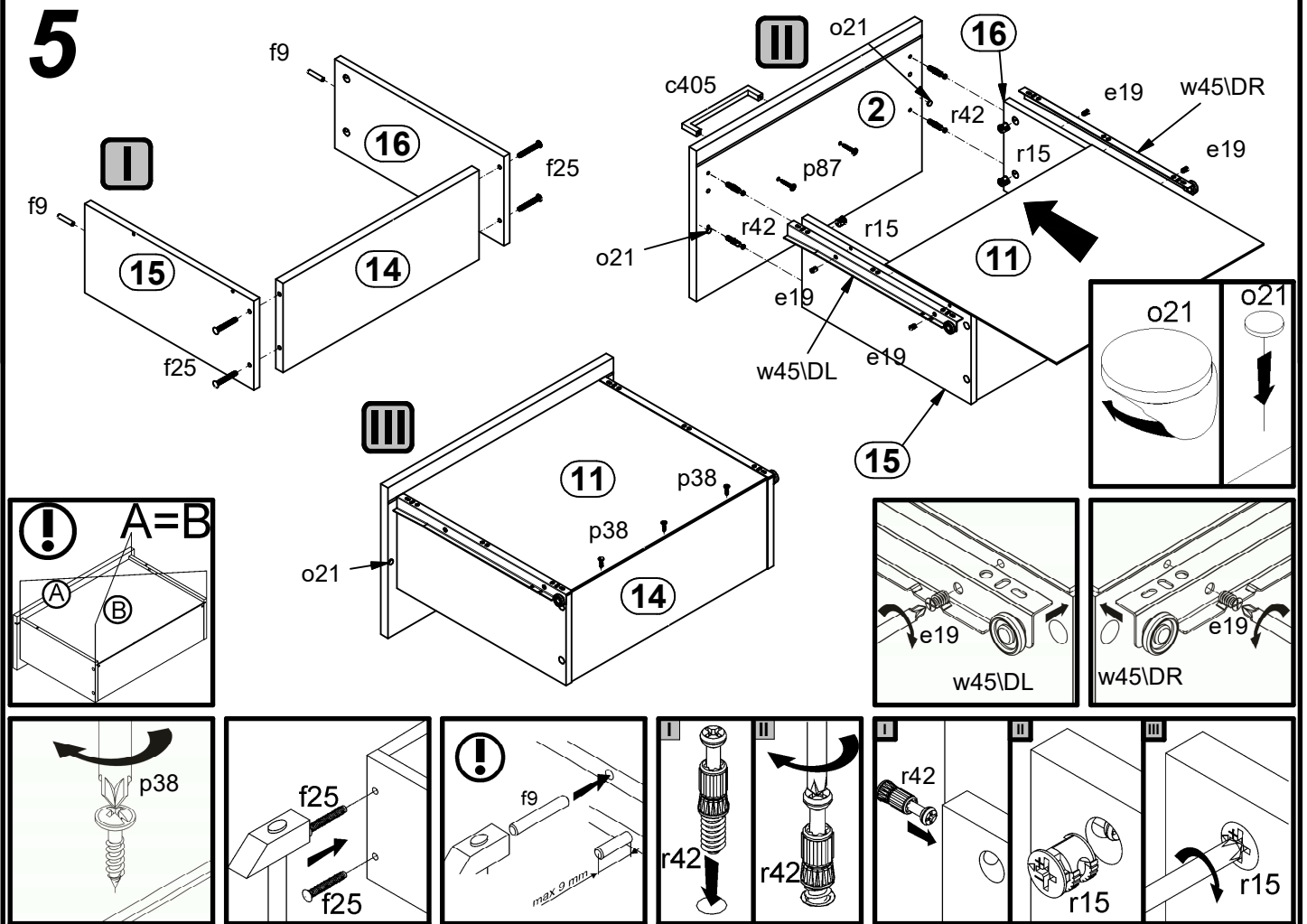
3



4



5



6

