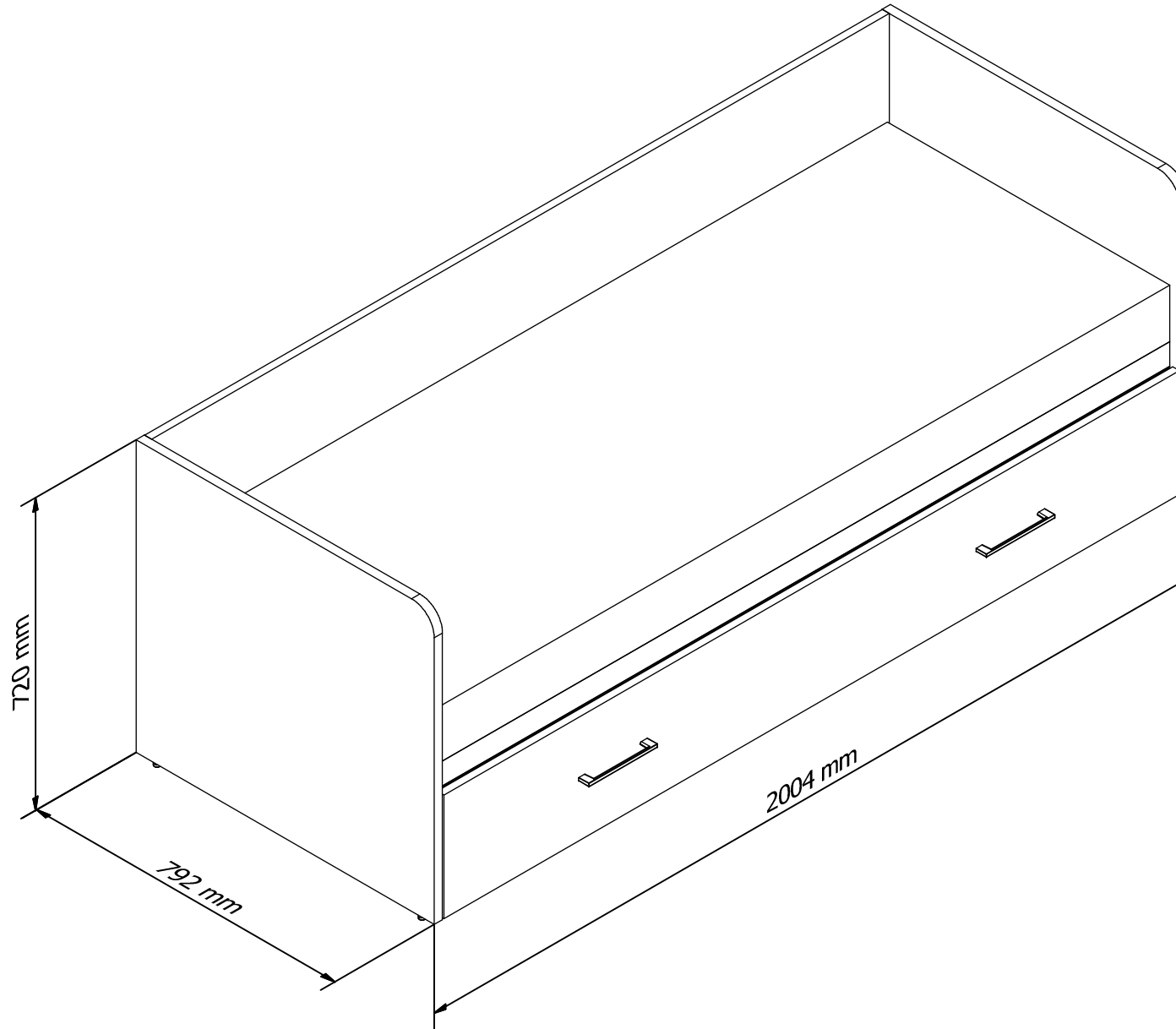
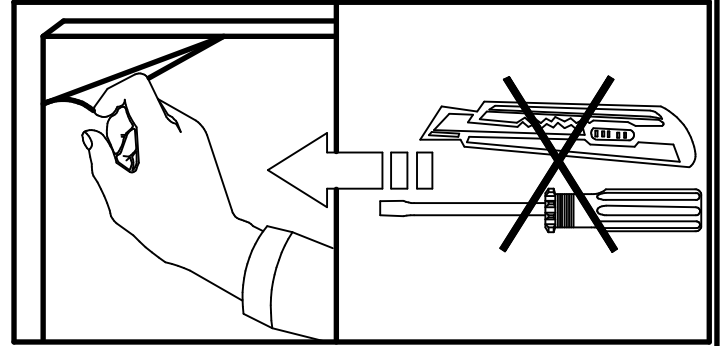
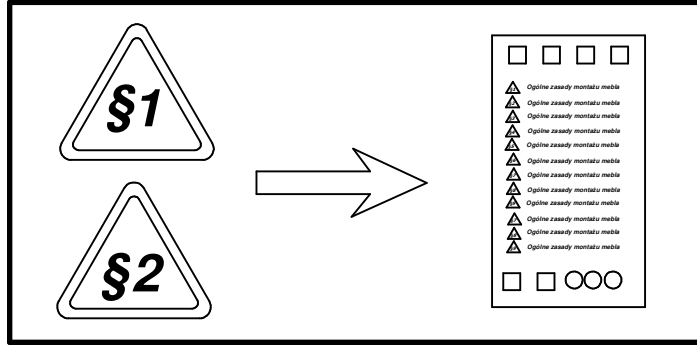
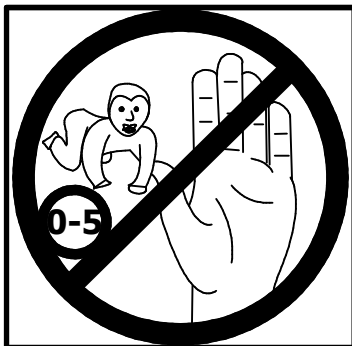
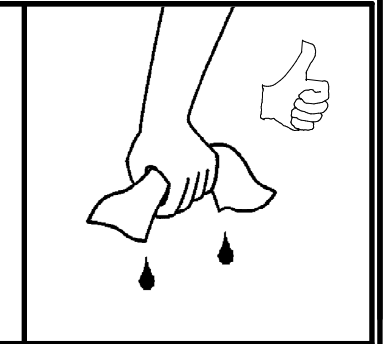
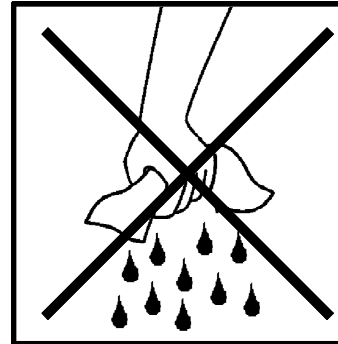
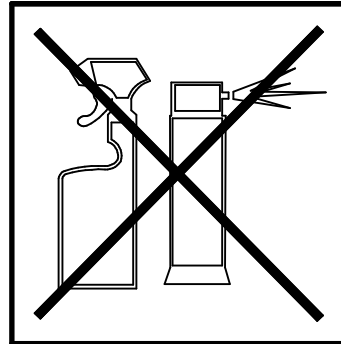
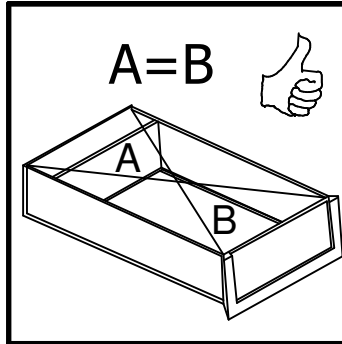
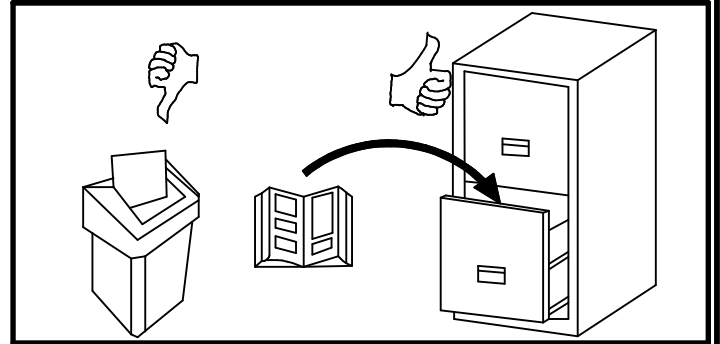
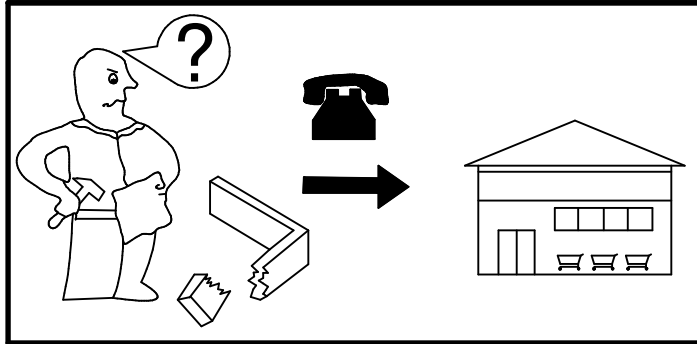
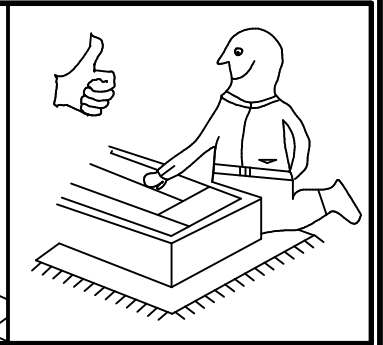
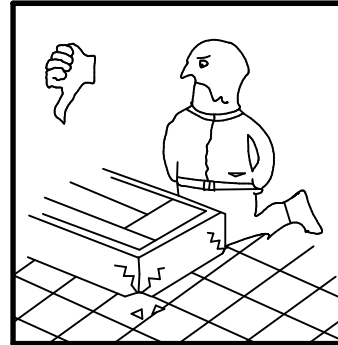
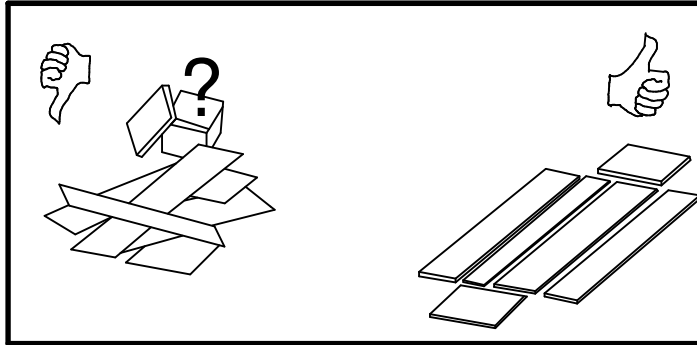
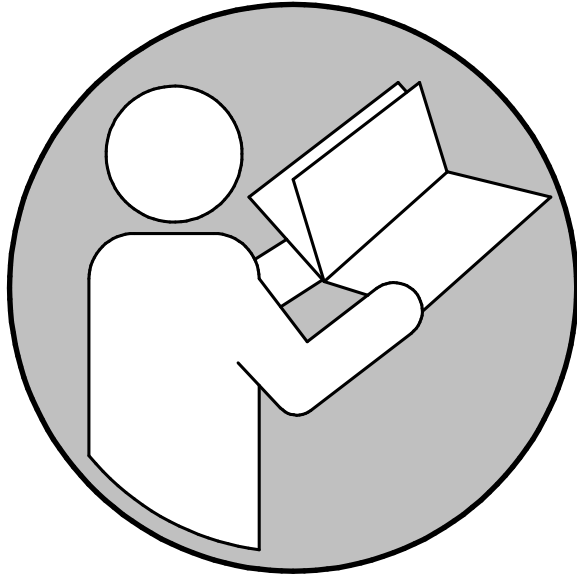
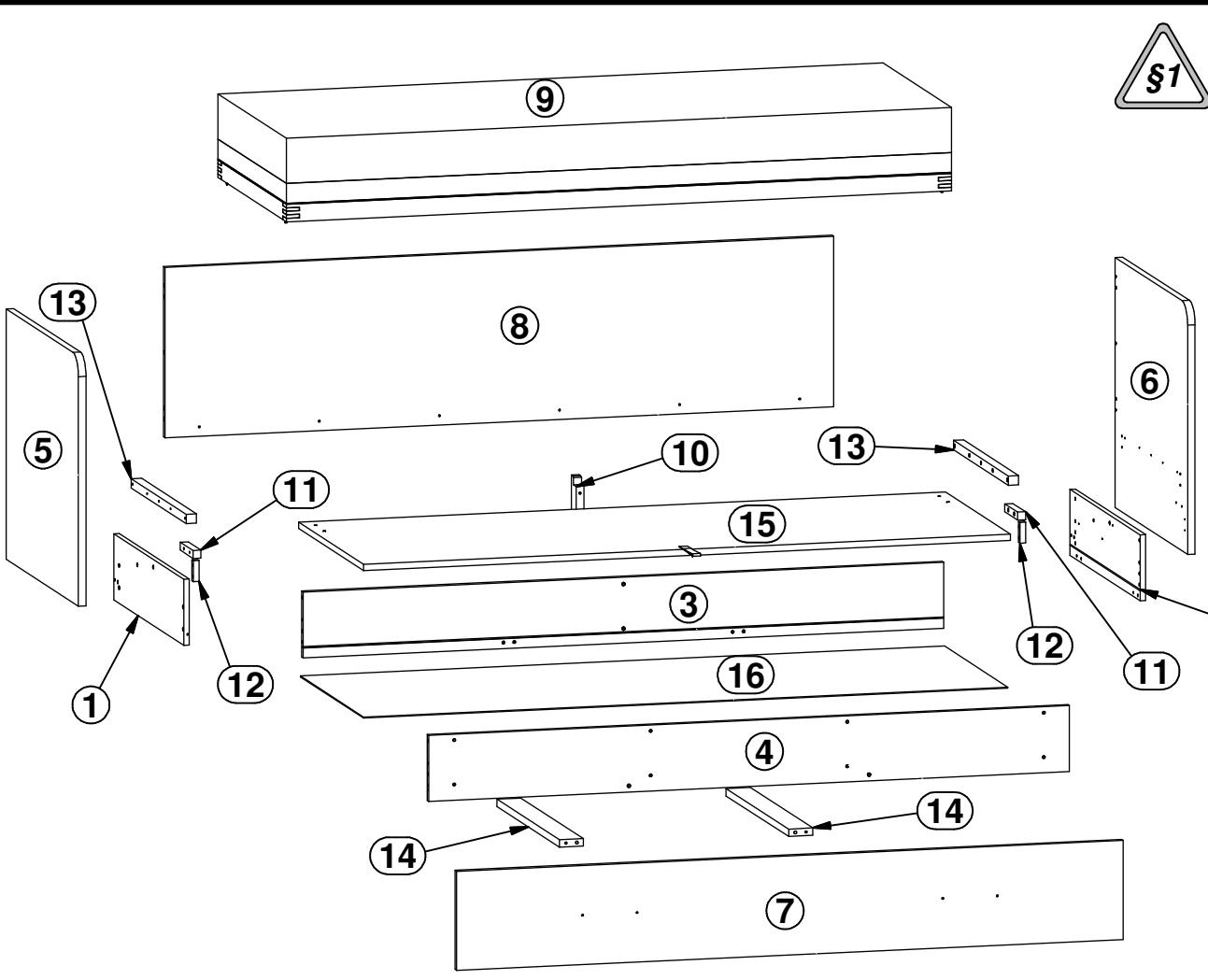
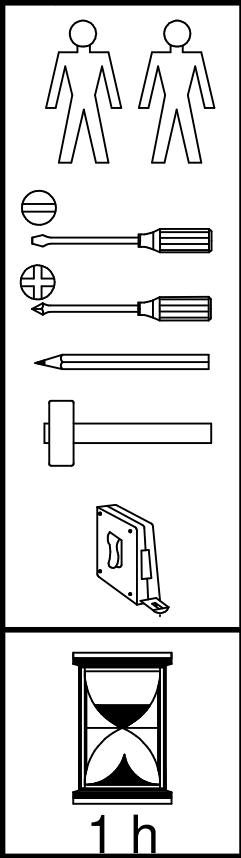


TETRIX

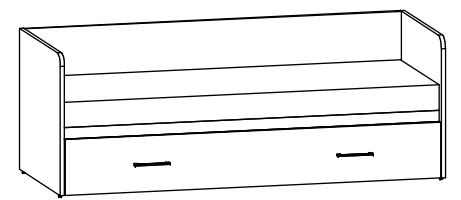
S442-LOZ/80/160



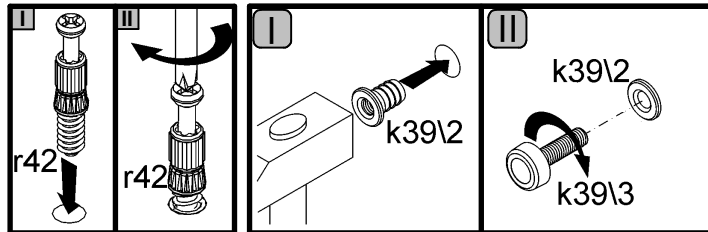
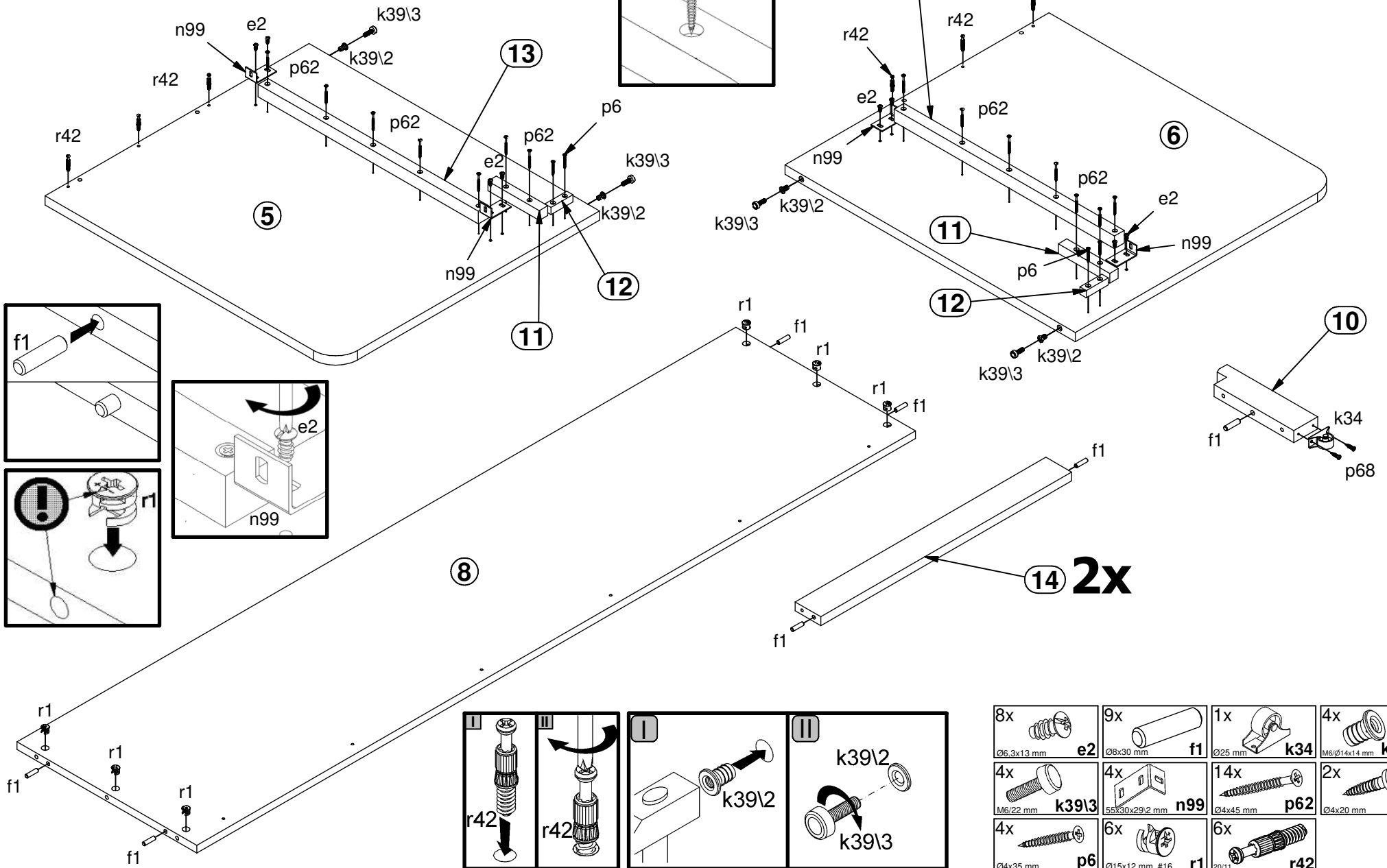
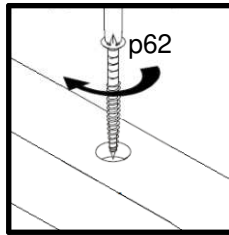




A	B	C (mm)			D
1	S325-412	767	190	16	2/4
2	S325-413	767	190	16	2/4
3	S325-414	1878	190	16	2/4
4	S325-415	1878	190	16	2/4
5	S442-0027	720	792	22	1/4
6	S442-0028	720	792	22	1/4
7	S442-0029	1954	285	18	3/4
8	S442-4043	1960	490	18	3/4
9	ZZ1-401	1950	1500	130	1/2
10	ZZ1-402	198	52	23	2/4
11	ZZ1-403	140	23	23	2/4
12	ZZ1-405	60	17	17	2/4
13	ZZ1-406	600	27	30	2/4
14	ZZ1-407	684	70	21	2/4
15	ZZ1-408	1896	712	18	4/4
16	ZZ1-903	1888	694	3	4/4

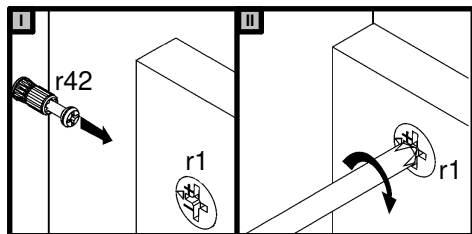
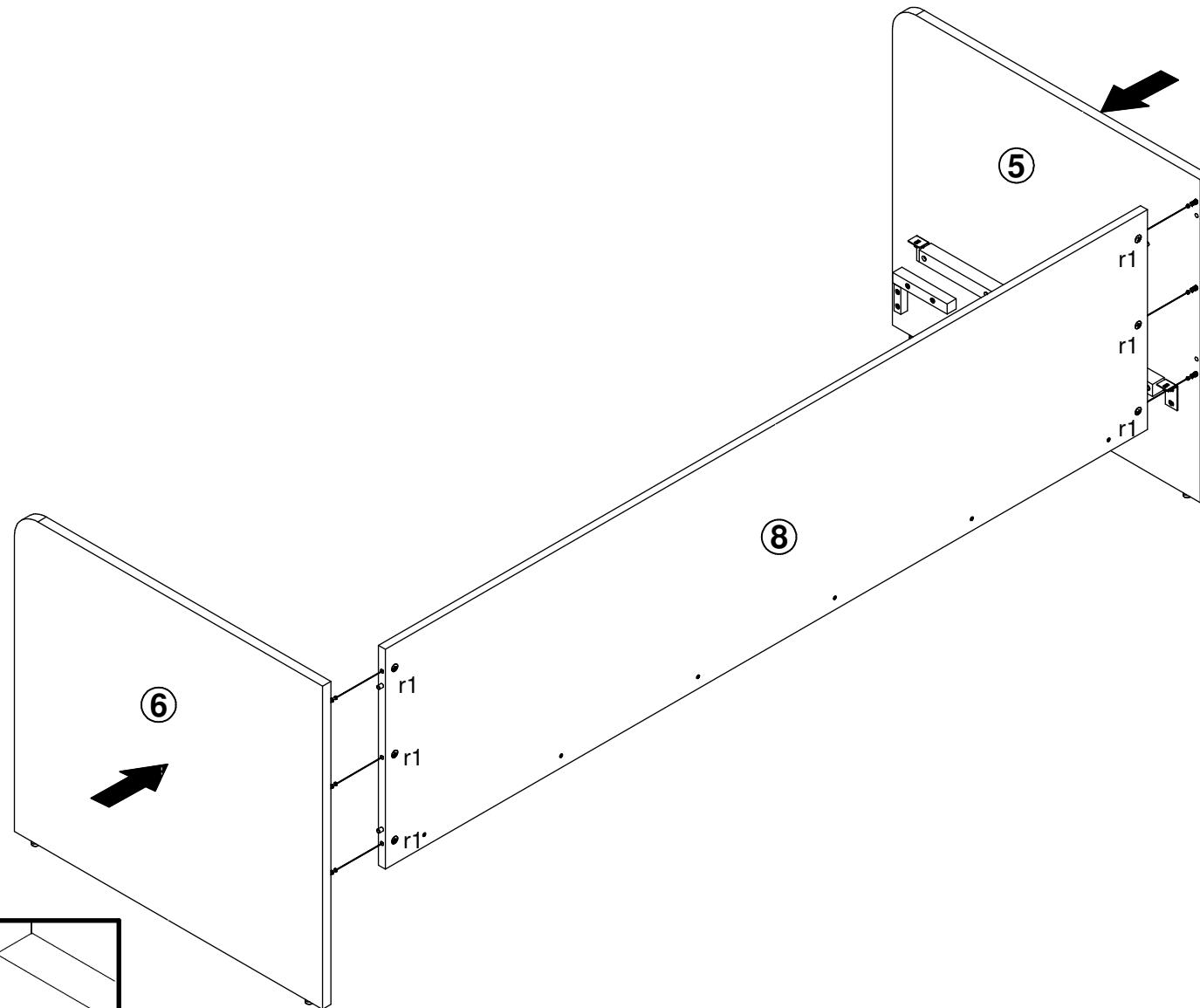


2x c280/6	14x Ø7x50 mm e1	16x Ø6.3x13 mm e2	8x Ø7x28 mm e22	cm 0 1 2 3 4 5 6 7 8 9 10						17x Ø8x30 mm f1	16x M6 j10	4x M4x22 mm j60	D 1/4
4x M6x30 mm j9	8x M6x27 mm j96	1x Ø25 mm k34	4x M6/Ø14x14 mm k39I2	4x M6/22 mm k39I3	4x Ø35 mm k44	2x m28/1	1x m28/L	1x m28/P	2x 55x30x20/2 n100	4x 55x30x29/2 mm n99	8x Ø6xØ12/1.4 mm o40	8x Ø6xØ22/1.5 mm o6	
6x Ø3.5x13 mm p27	20x Ø4x45 mm p62	2x Ø4x20 mm p68	4x Ø4x35 mm p6	6x Ø15x12 mm #16 r1	6x Ø20/11 r42	1x 395 mm s7/L	1x 395 mm s7/P	10x Ø14x0.5 mm s59	6x Ø20mm s68	1x 4 mm z1			

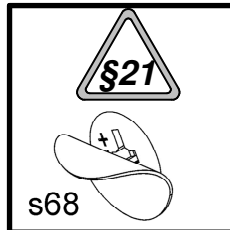
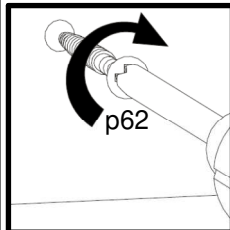
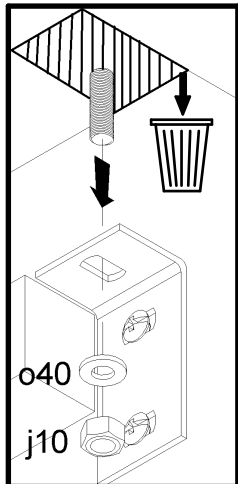
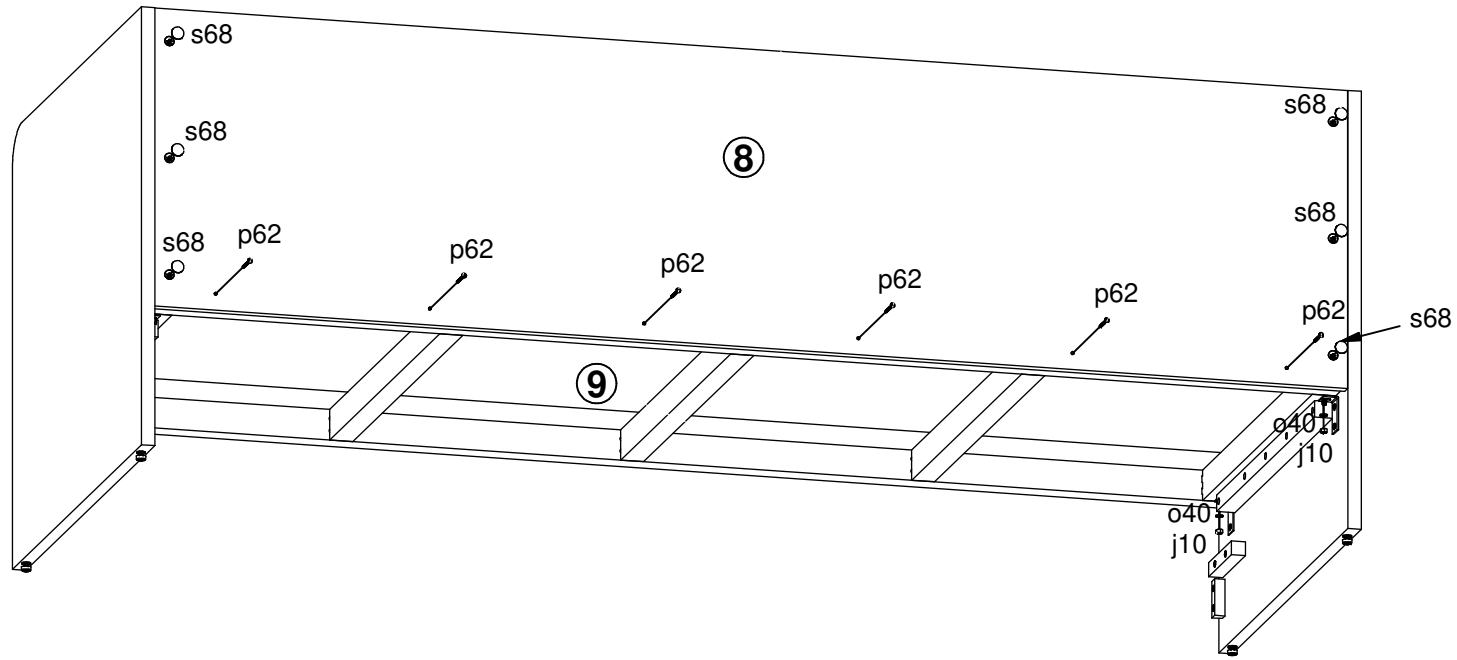






8x Ø6,3x13 mm e2	9x Ø8x30 mm f1	1x Ø25 mm k34	4x M6/14x14 mm k39/2
4x M6/22 mm k39/3	4x 55x30x29/2 mm n99	14x Ø4x45 mm p62	2x Ø4x20 mm p68
4x Ø4x35 mm p6	6x Ø15x12 mm #16 r1	6x 20/11 r42	

2 

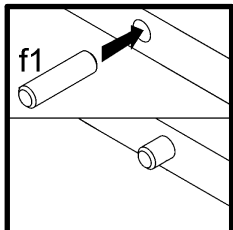
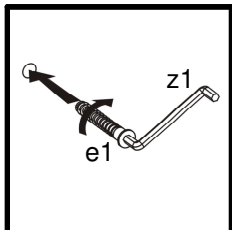
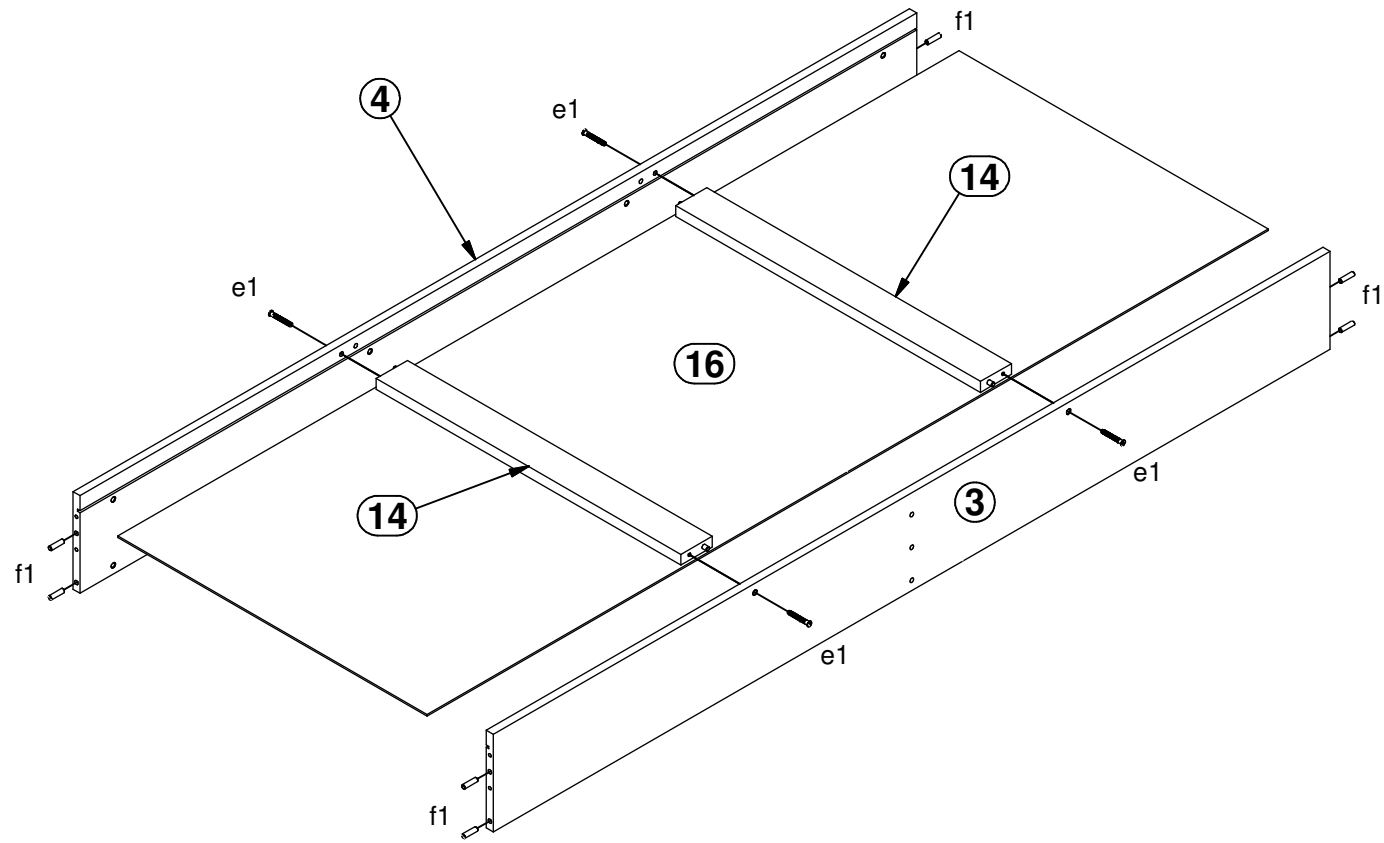





3 



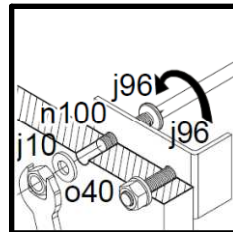
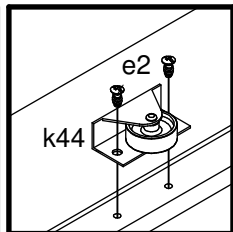
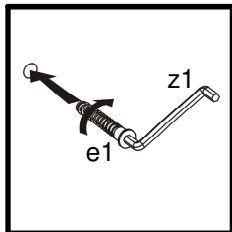
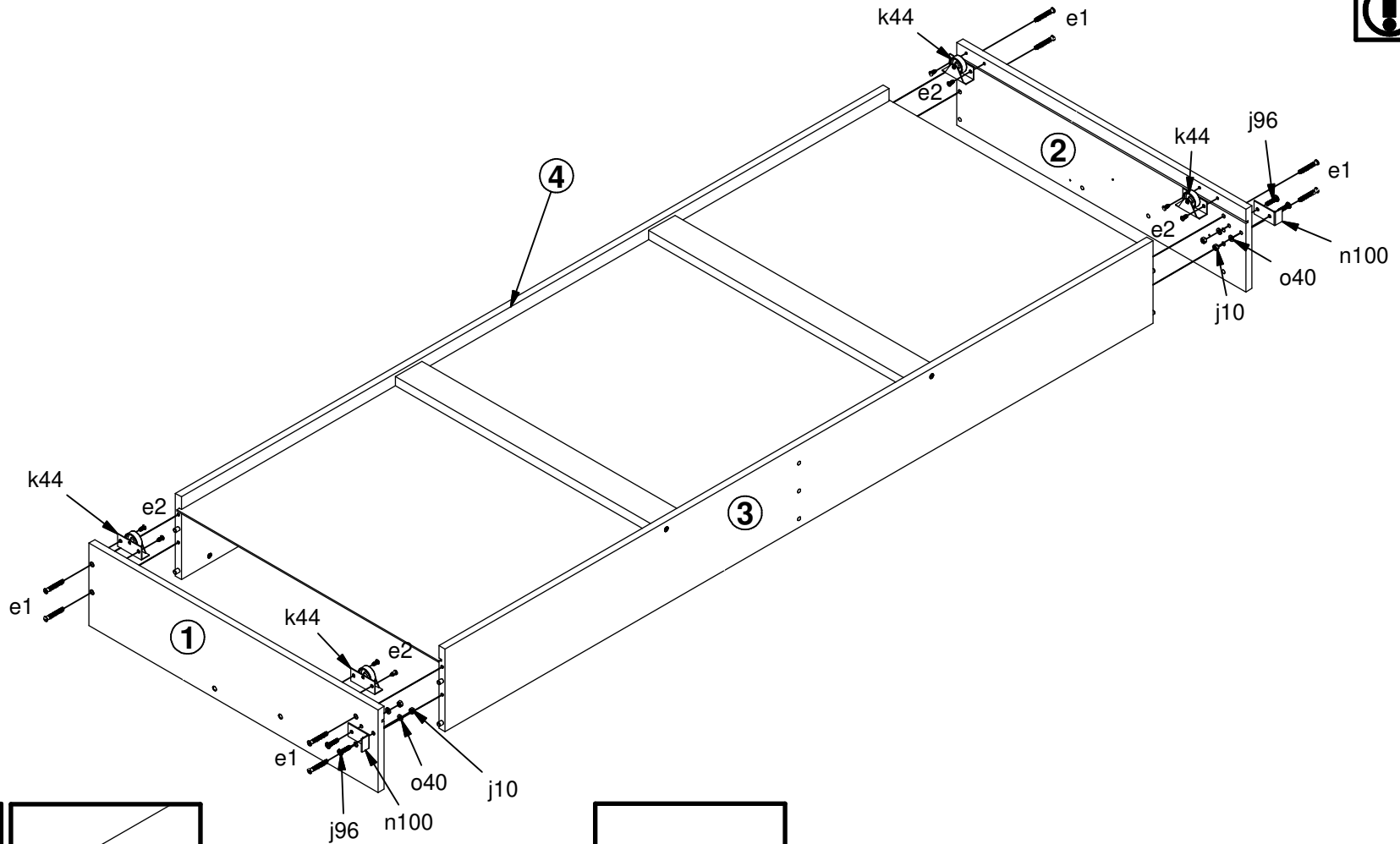
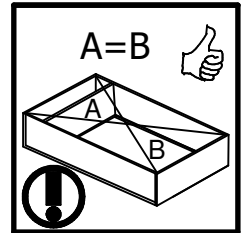
- | | | | |
|--|--|---|---|
| 4x  M6 j10 | 4x  o40
Ø6xØ12,1.4 mm | 6x  p62
Ø4x45 mm | 6x  s68
Ø 20mm |
|--|--|---|---|


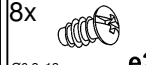



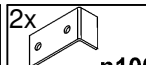
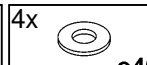
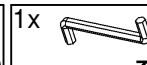
4 



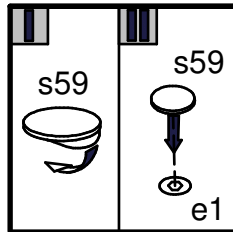
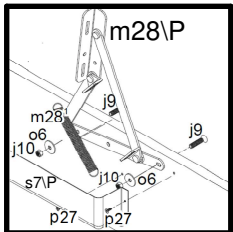
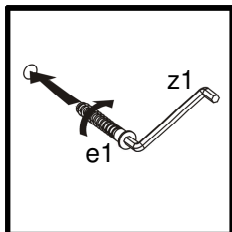
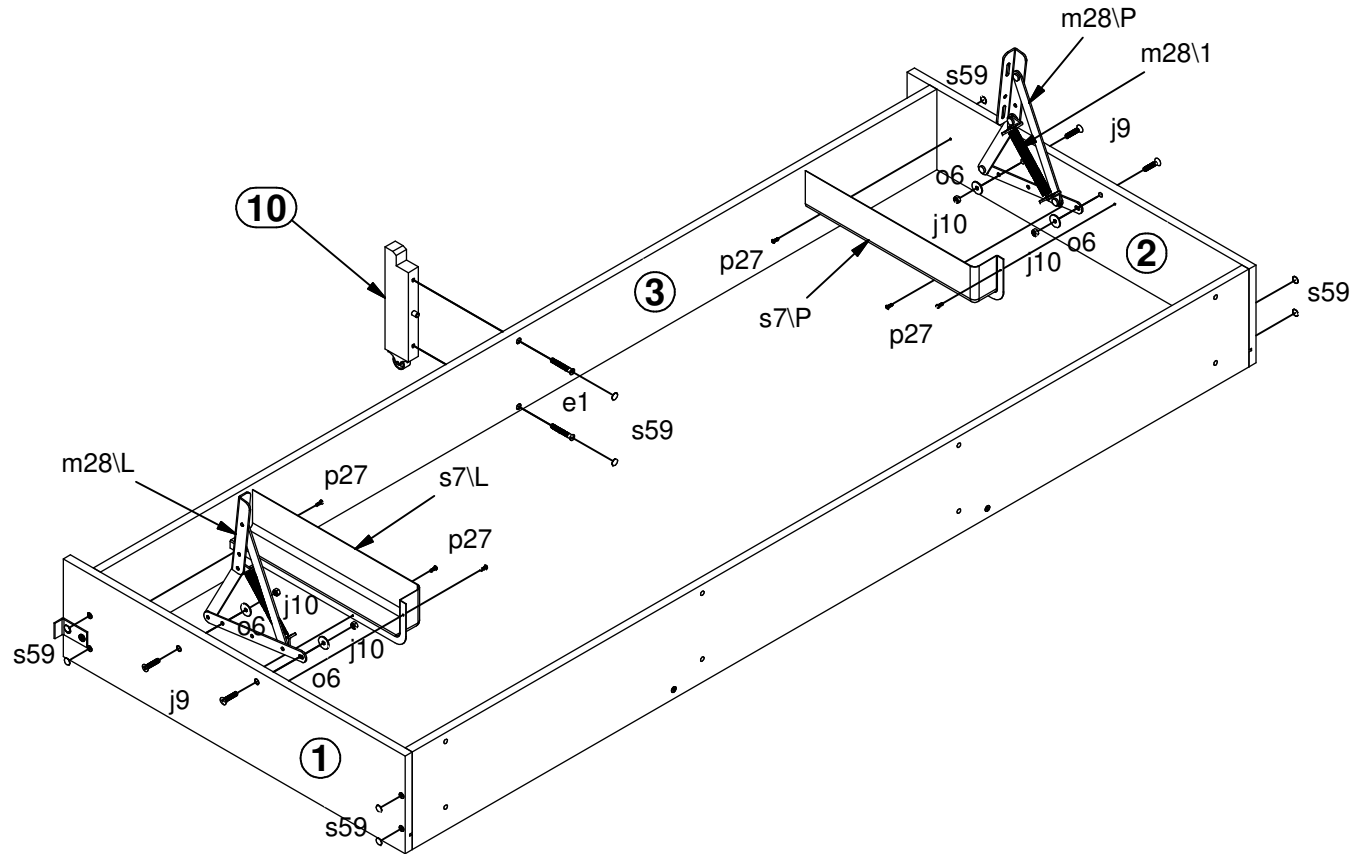
4x  Ø7x50 mm e1	8x  Ø8x30 mm f1	1x  4 mm z1
--	--	--

5 



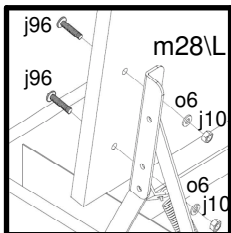
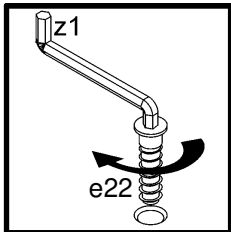
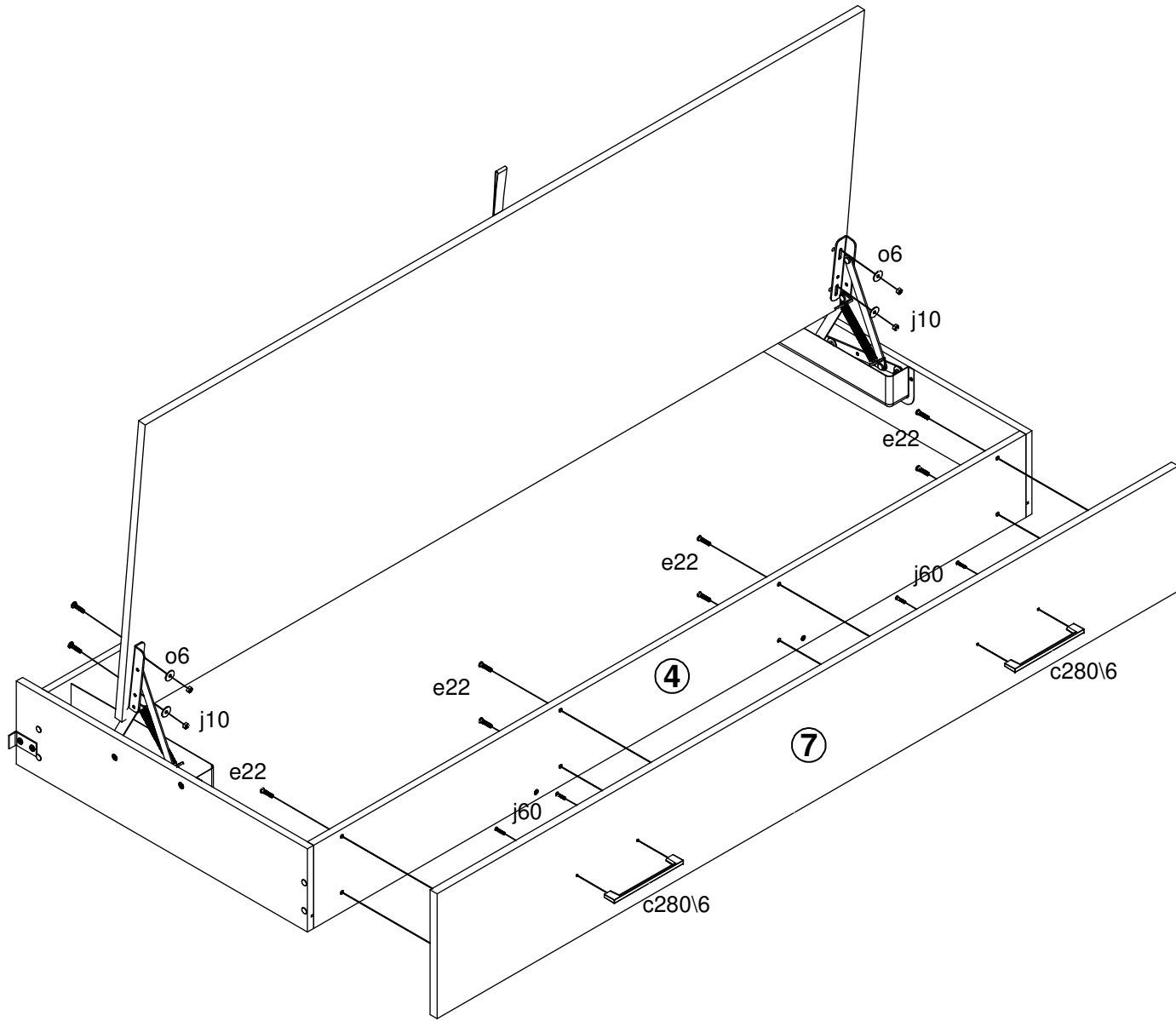
8x  Ø7x50 mm e1	8x  Ø6.3x13 mm e2	4x  M6x27 mm j96	4x  M6 j10
4x  Ø35 mm k44	2x  55x30x20/2 n100	4x  Ø6xØ12x1.4 mm o40	1x  4 mm z1


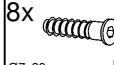





6 



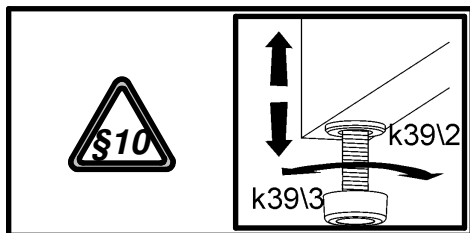
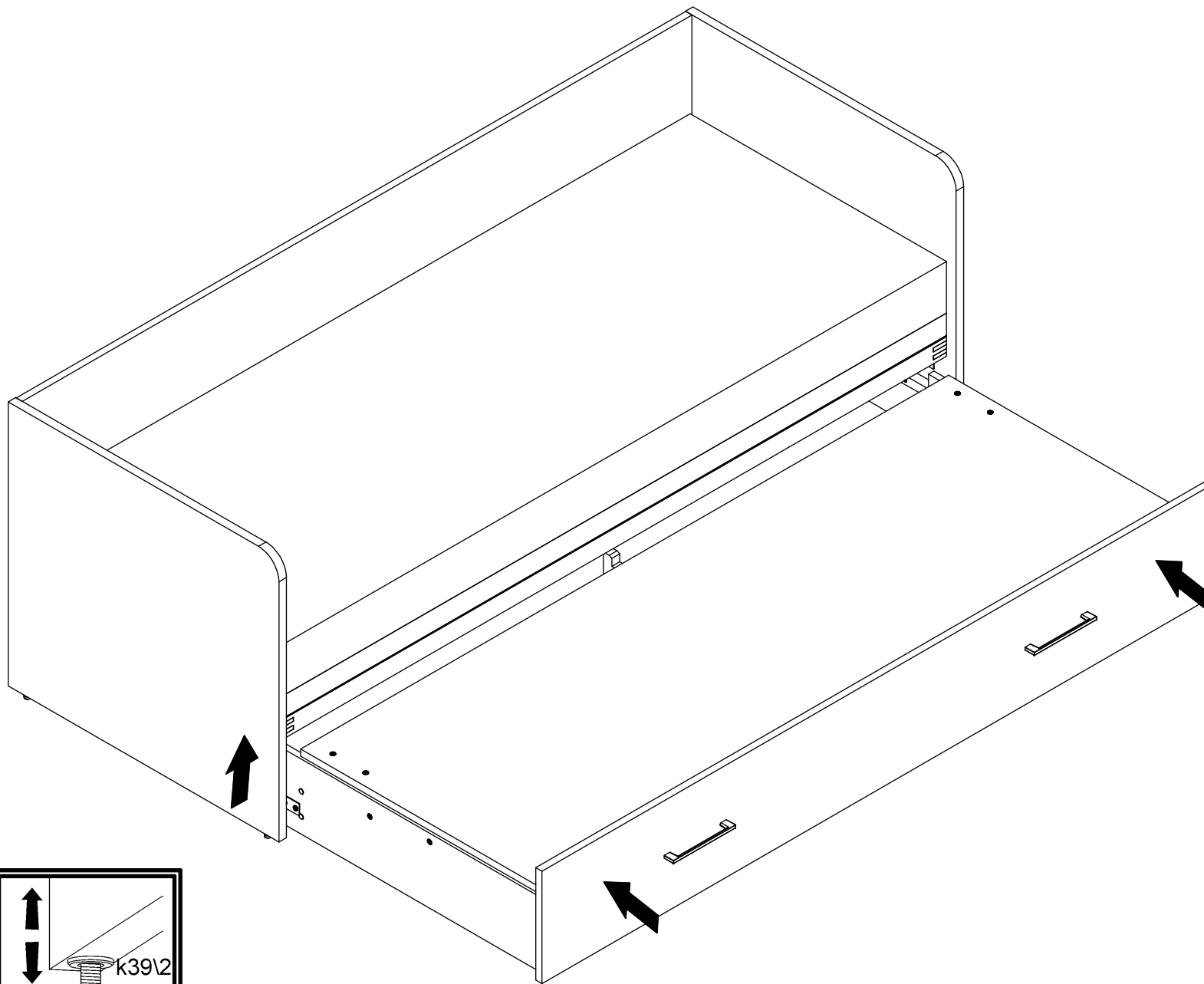
2x Ø7x50 mm e1	4x M6 j10	4x M6x30 mm j9	2x m28\1
1x m28\L	1x m28\P	4x Ø6xØ22/1.5 mm o6	6x Ø3.5x13 mm p27
1x 395 mm s7\L	1x 395 mm s7\P	10x Ø14x0.5 mm s59	1x 4 mm z1

7 



- | | | | | | | |
|--|---|--|---|---|---|--|
| 2x  c280\6 | 8x  e22
Ø7x28 mm | 4x  M6 j10 | 4x  j96
M6x27 mm | 4x  j60
M4x22 mm | 4x  o6
Ø6xØ22x1.5 mm | 1x  z1
4 mm |
|--|---|--|---|---|---|--|

8 



9

