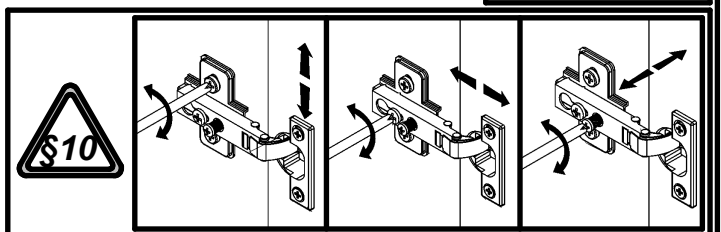
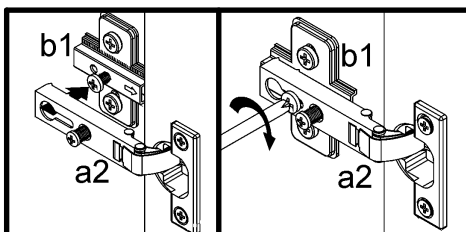
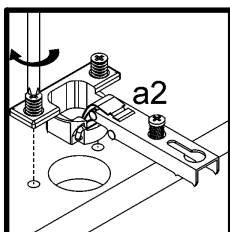
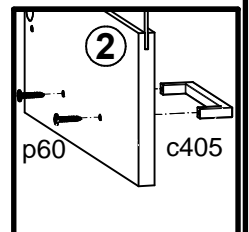
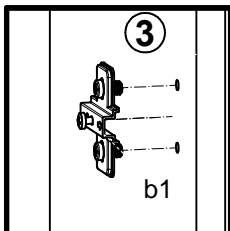
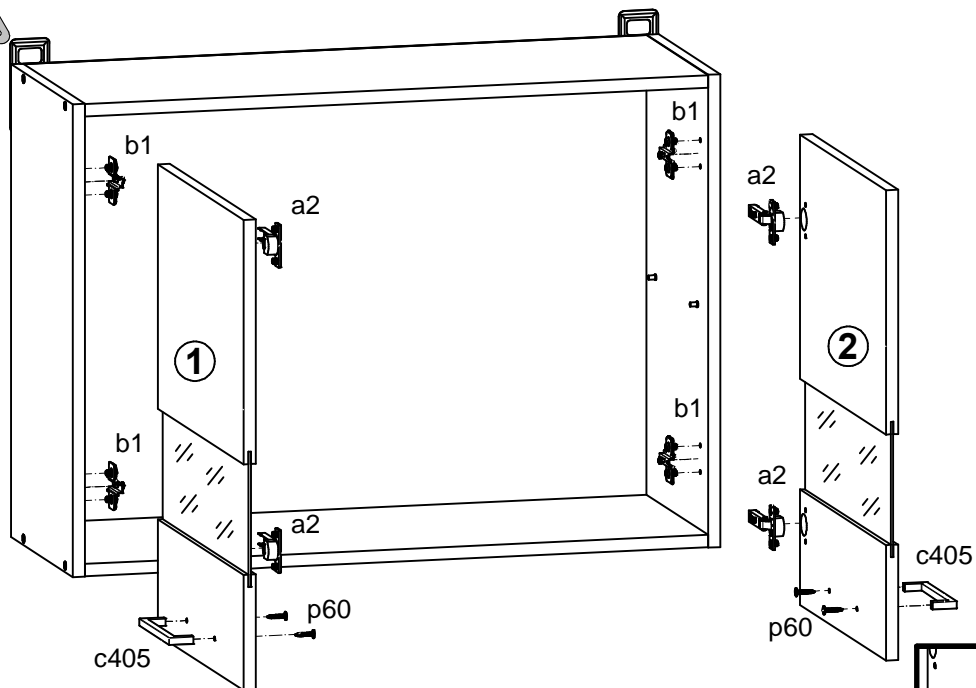
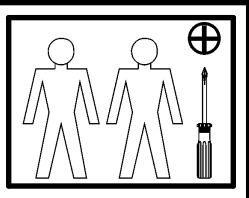
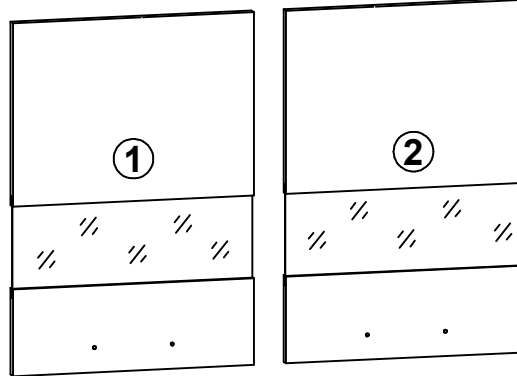
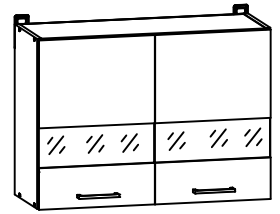


Junona Line

K24-G2W/80/57-frn

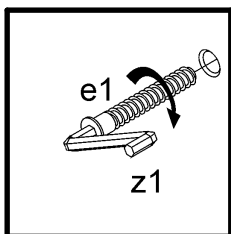
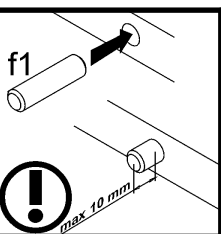
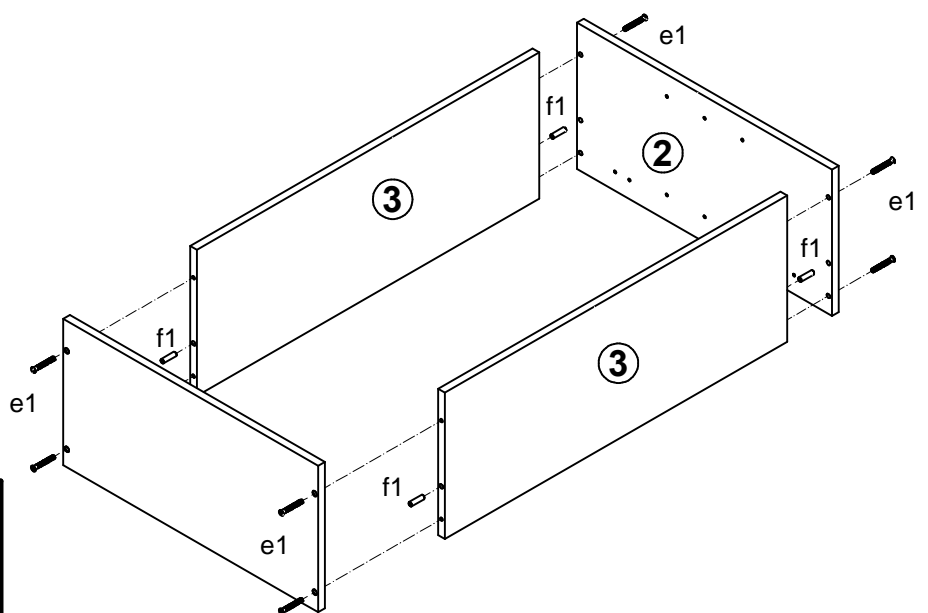
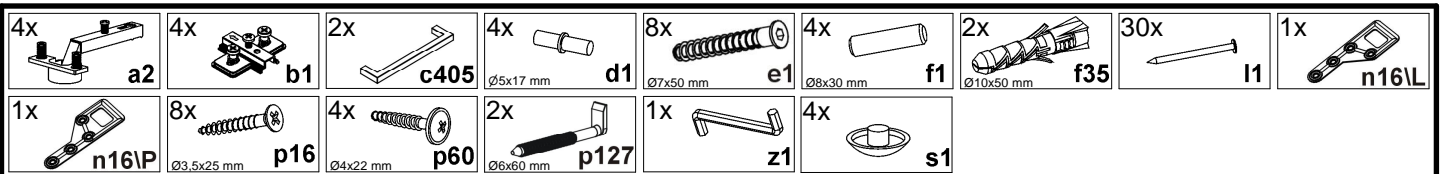
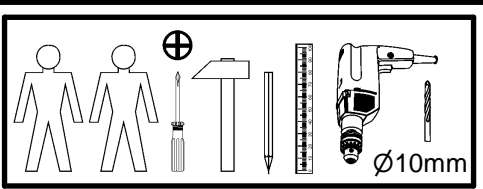
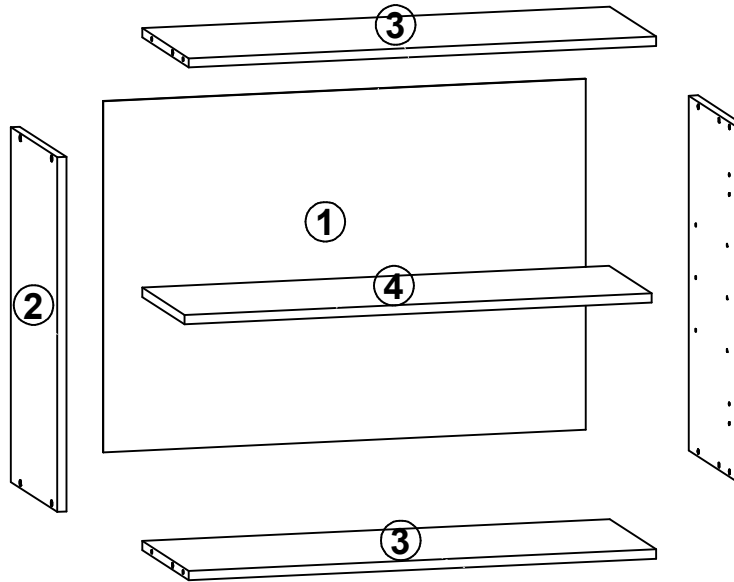
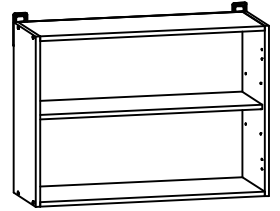
A	B	C	D
1	K24-017	396	570 2/2
2	K24-018	396	570 2/2



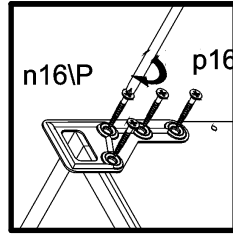
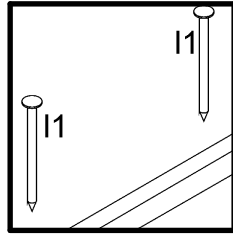
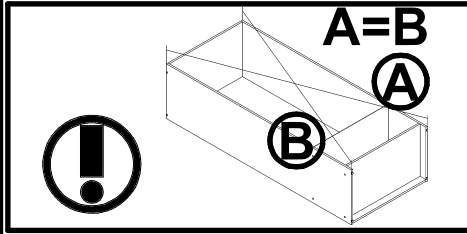
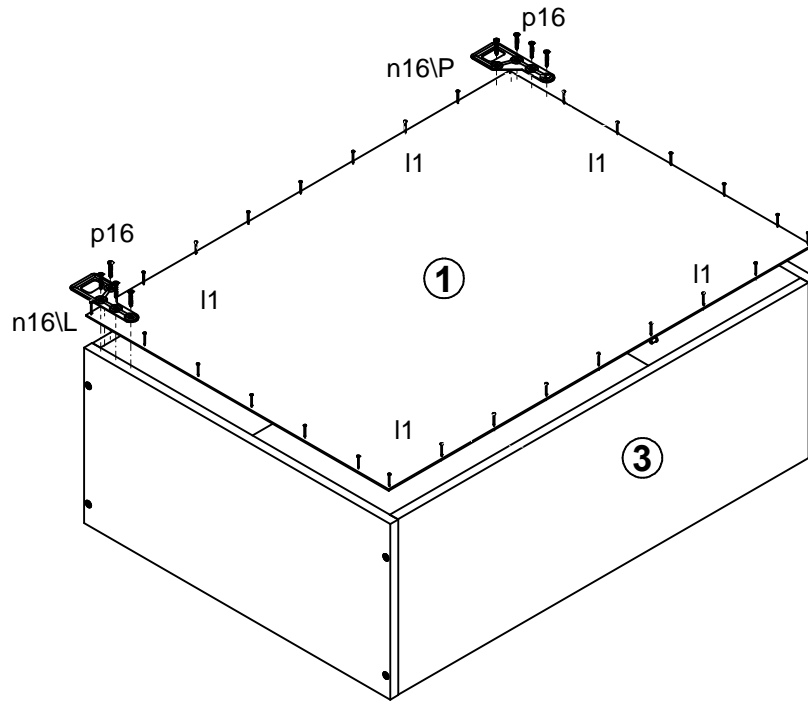
Junona Line

K24-G2W/80/57

A	B	C	D
1	K22-919	567	793
2	K24-120	573	285
3	K24-328	769	285
4	K24-329	768	260



2



3

