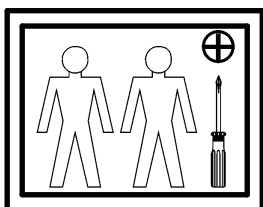
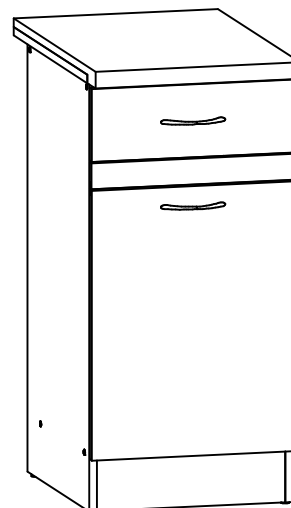
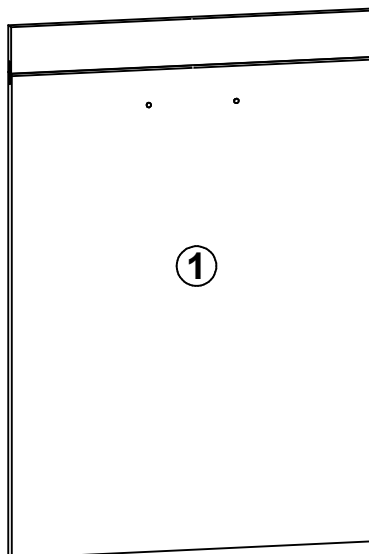
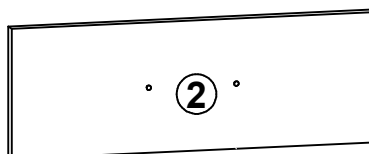
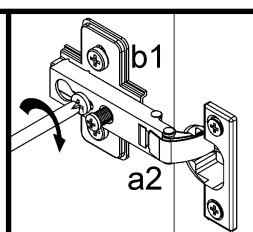
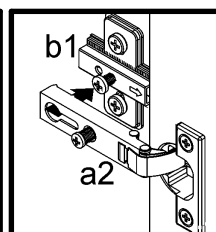
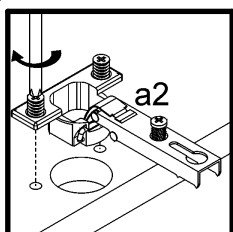
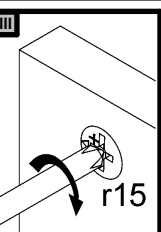
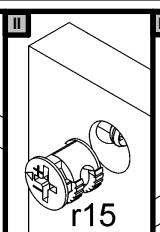
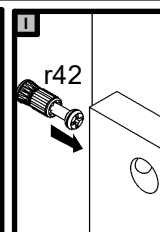
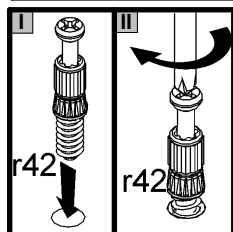
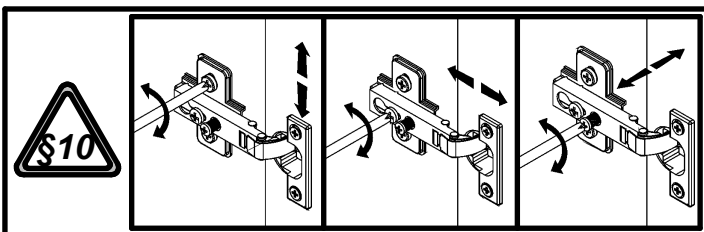
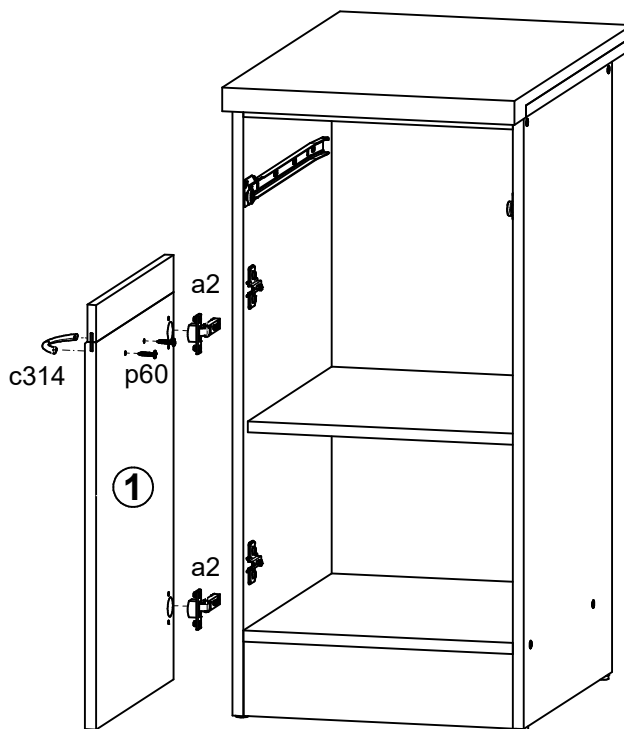
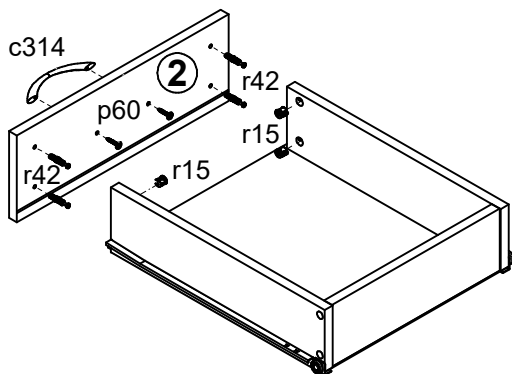


| A | B | C | D |
|---|---------|-----|---------|
| 1 | K22-024 | 396 | 570 3/3 |
| 2 | K22-032 | 396 | 140 3/3 |



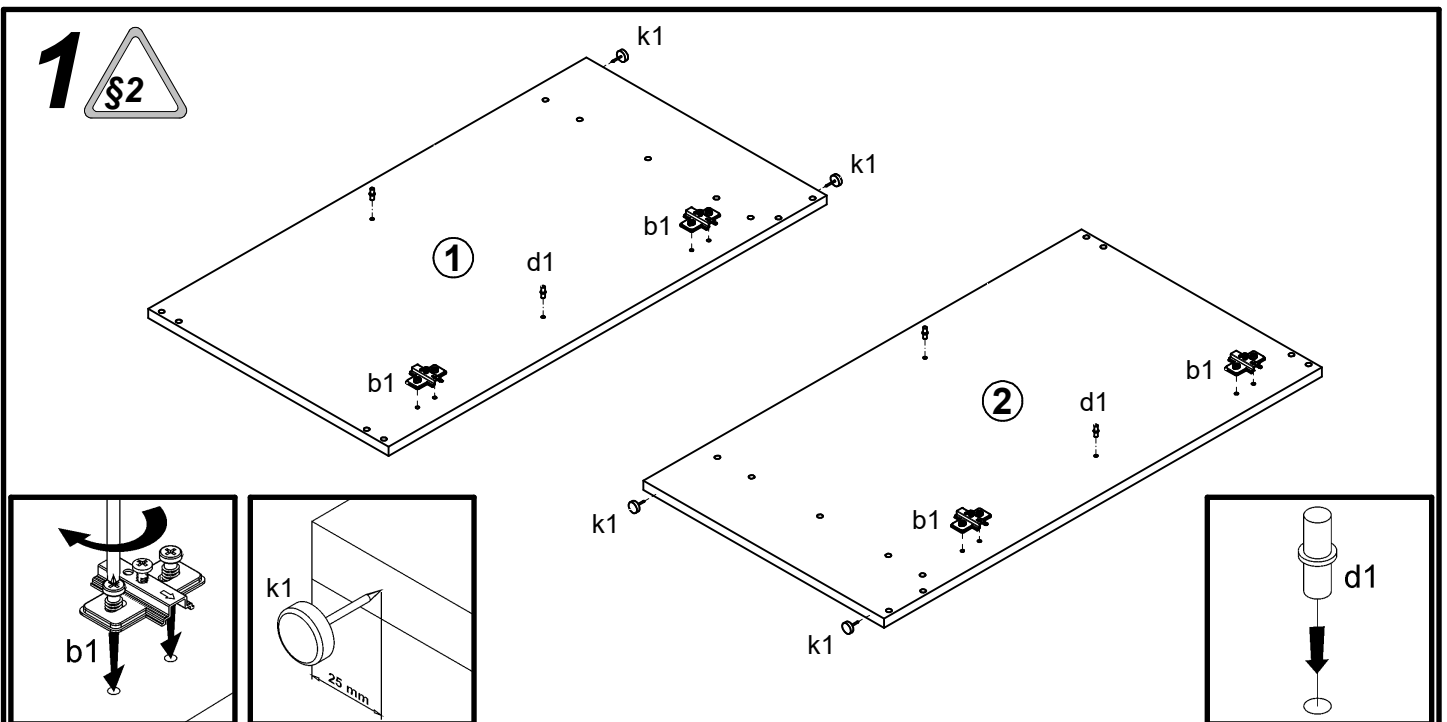
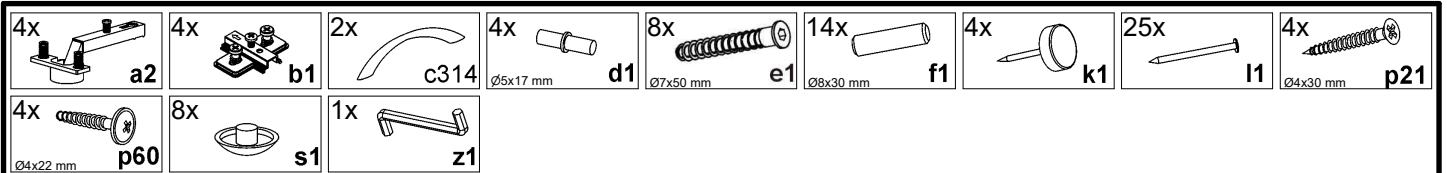
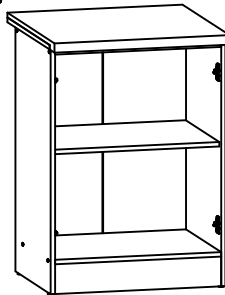
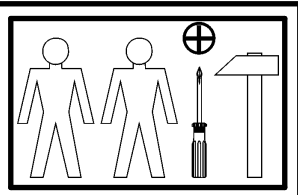
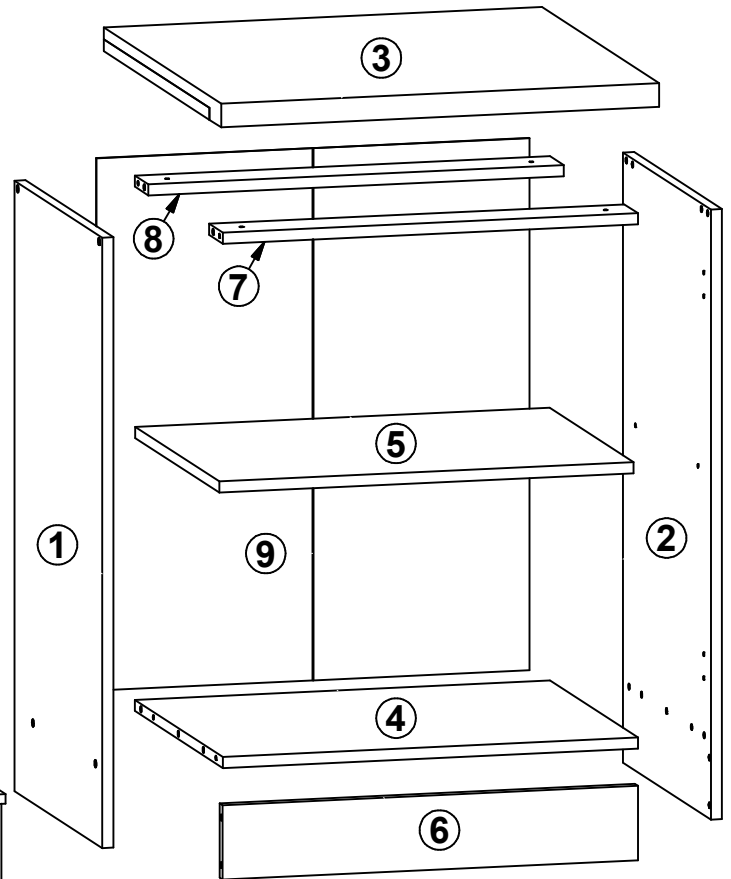
1



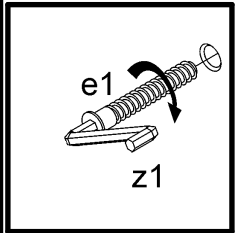
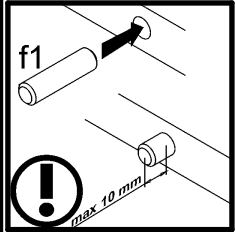
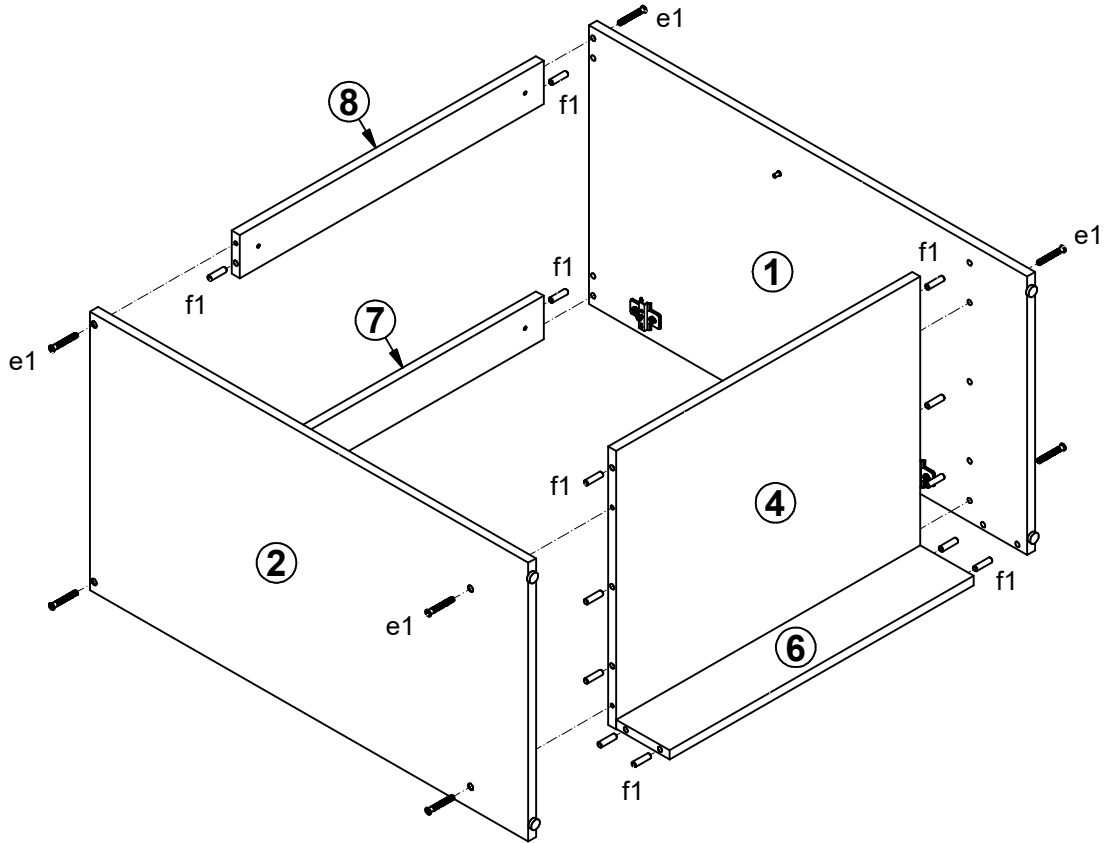
Junona Line

K22-D2D/60/82 Moduł B , B + A2

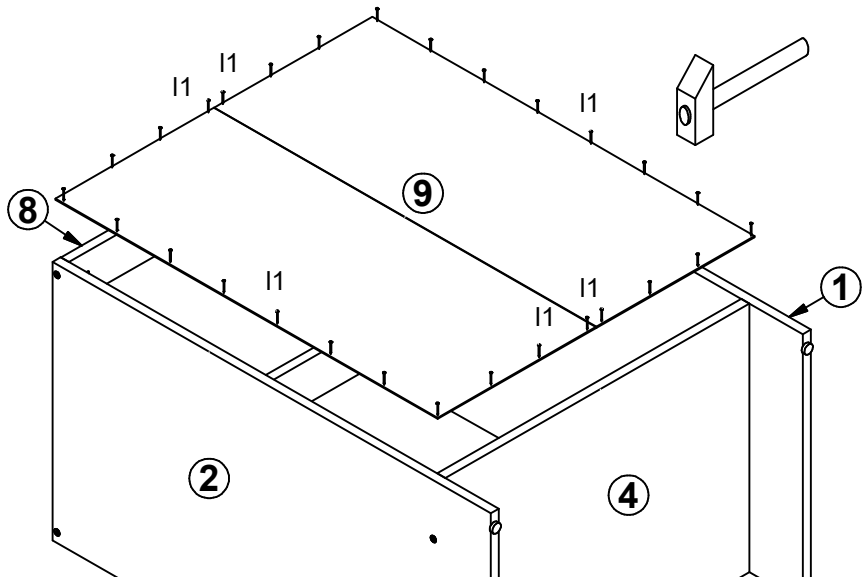
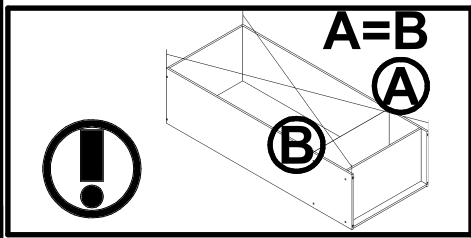
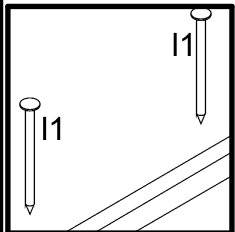
| A | B | C | D |
|-------------------------|---------|-----|---------|
| K22-D2D/60/82 | | | |
| 1 | K22-107 | 820 | 450 1/3 |
| 2 | K22-108 | 820 | 450 1/3 |
| 3 | K22-206 | 600 | 600 2/3 |
| 4 | K22-341 | 569 | 450 1/3 |
| 5 | K22-342 | 568 | 430 1/3 |
| 6 | K22-423 | 569 | 100 1/3 |
| 7 | K22-424 | 569 | 70 1/3 |
| 8 | K22-425 | 569 | 70 1/3 |
| 9 | K22-926 | 715 | 593 1/3 |
| Moduł B , B + A2 | | | |
| 1 | K22-107 | 820 | 450 1/2 |
| 2 | K22-108 | 820 | 450 1/2 |
| 4 | K22-341 | 569 | 450 1/2 |
| 5 | K22-342 | 568 | 430 1/2 |
| 6 | K22-423 | 569 | 100 1/2 |
| 7 | K22-424 | 569 | 70 1/2 |
| 8 | K22-425 | 569 | 70 1/2 |
| 9 | K22-926 | 715 | 593 1/2 |
| Moduł B + A2 | | | |
| 3 | K22-206 | 600 | 600 1/2 |



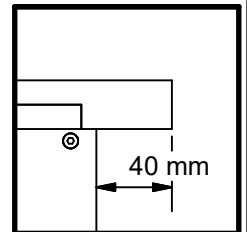
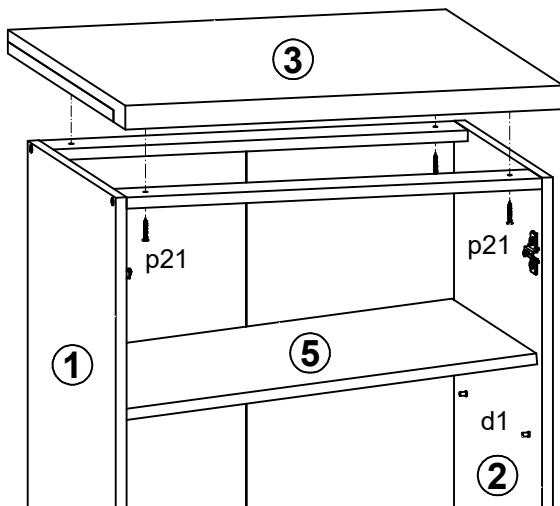
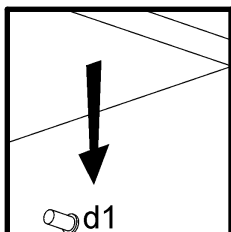
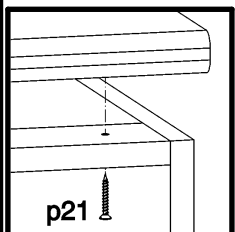
2



3

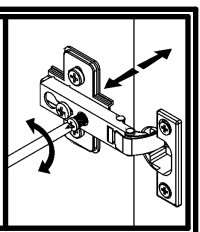
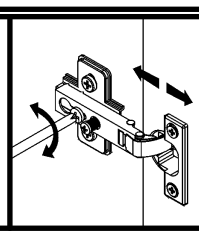
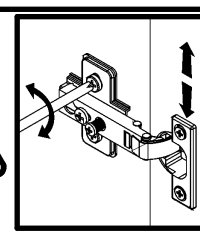
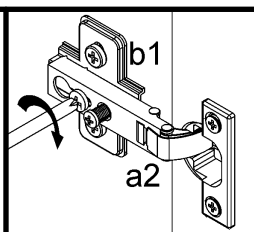
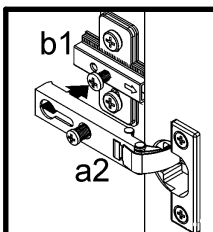
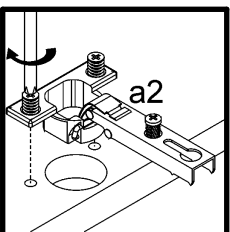
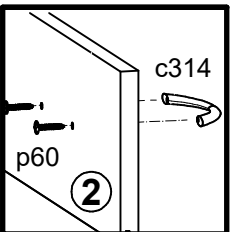
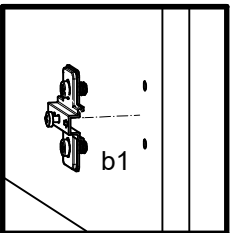
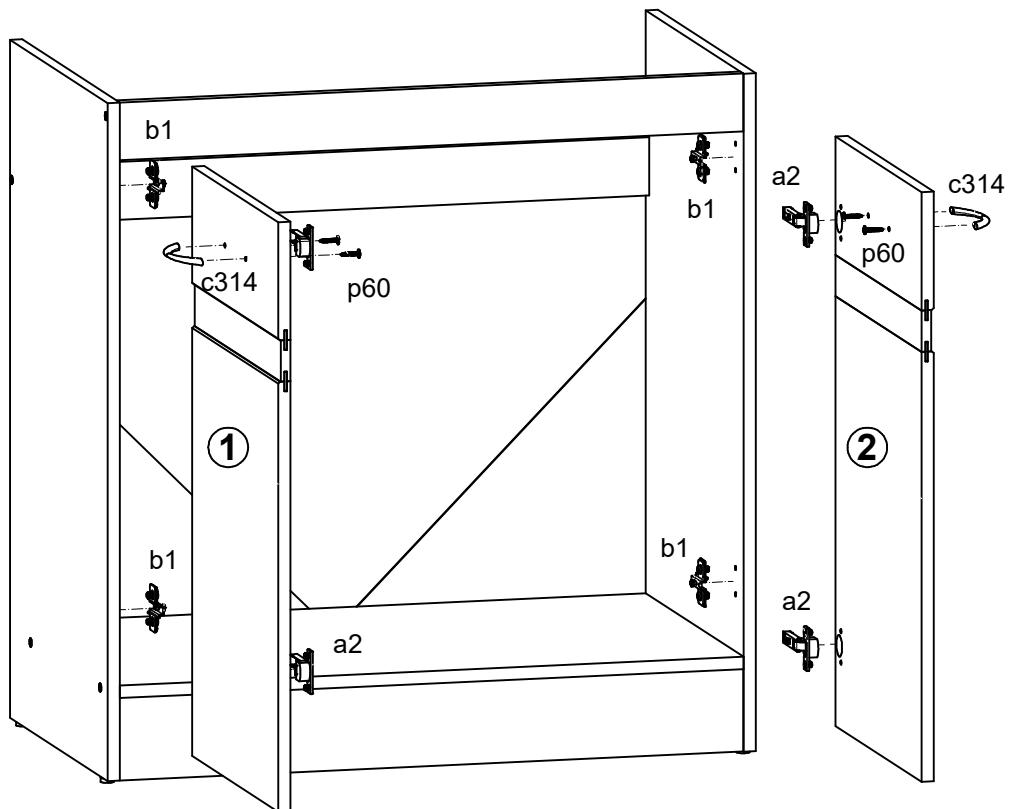
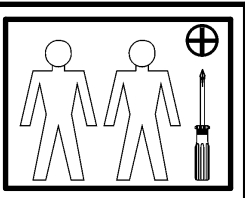
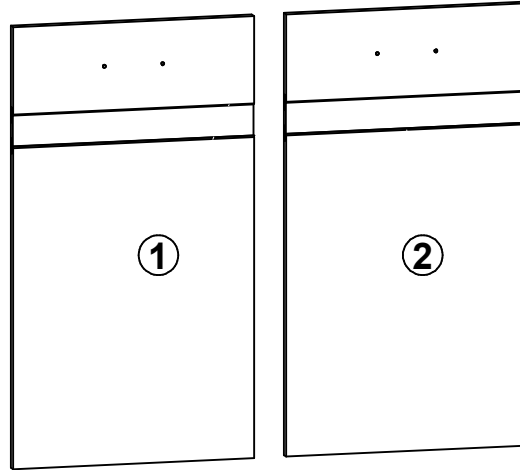
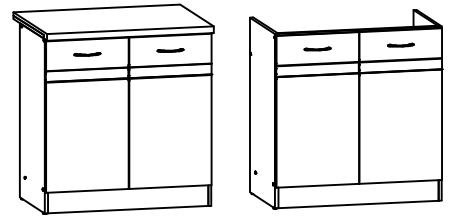


4



Junona Line K22-DK2D/80/82-frn K22-D2D/80/82-frn Moduł A , A + A1

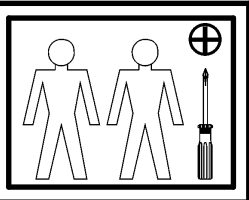
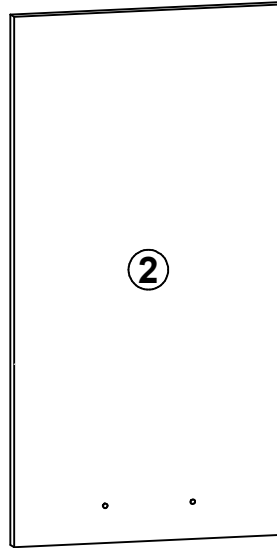
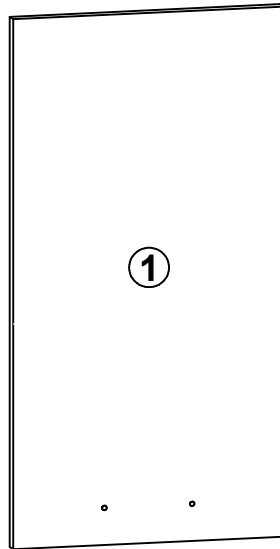
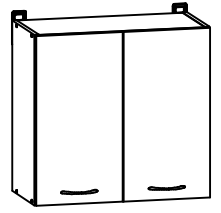
| A | B | C | D |
|--------------------|---------|-----|---------|
| K22-DK2D/80/82-frn | | | |
| K22-D2D/80/82-frn | | | |
| 1 | K22-020 | 396 | 713 2/2 |
| 2 | K22-021 | 396 | 713 2/2 |
| Moduł A , A + A1 | | | |
| 1 | K22-020 | 396 | 713 3/3 |
| 2 | K22-021 | 396 | 713 3/3 |



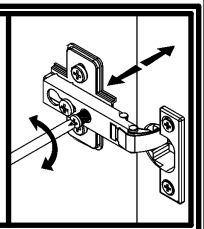
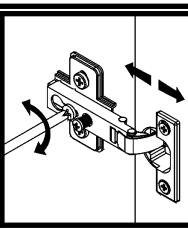
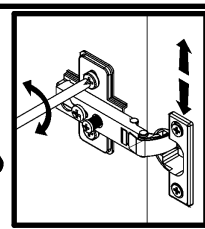
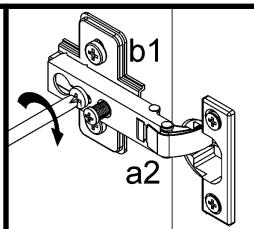
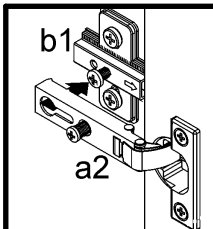
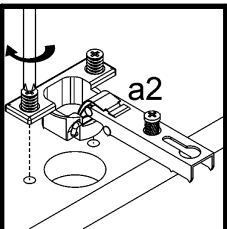
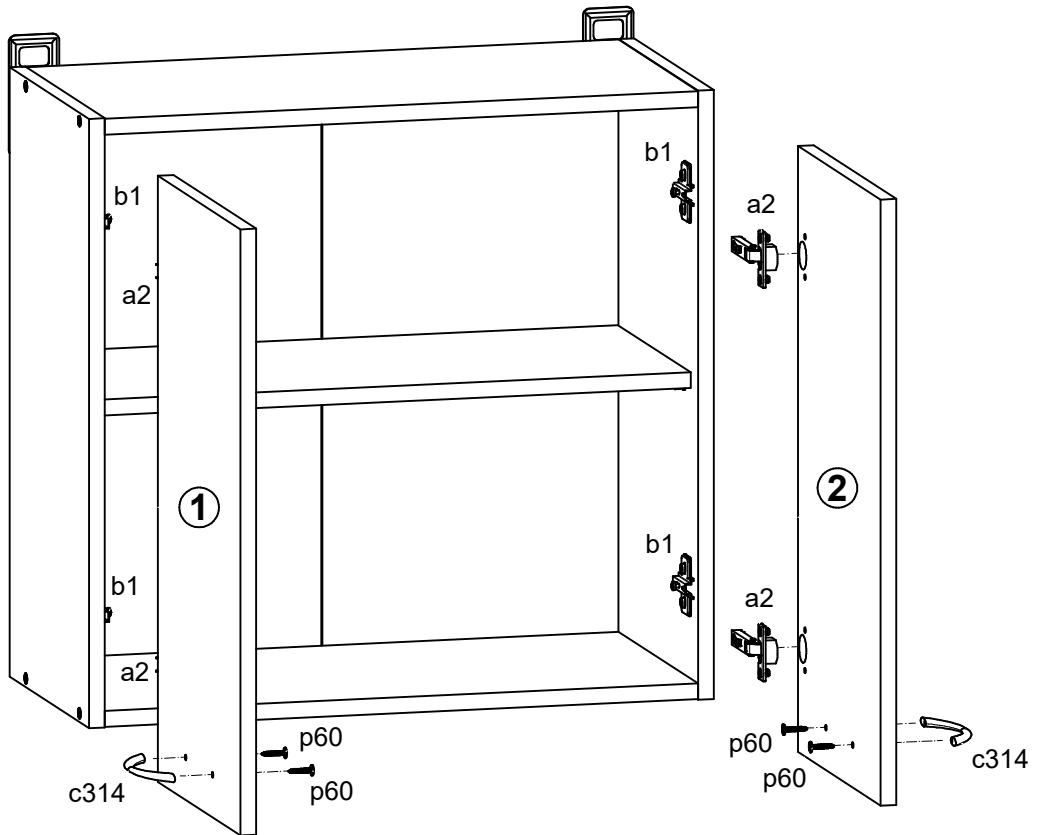
Junona Line

K22-G2D/60/57 Moduł B , B + A2

| A | B | C | D |
|---|---------|-----|---------|
| 1 | K22-037 | 296 | 570 2/2 |
| 2 | K22-038 | 296 | 570 2/2 |



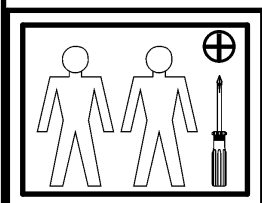
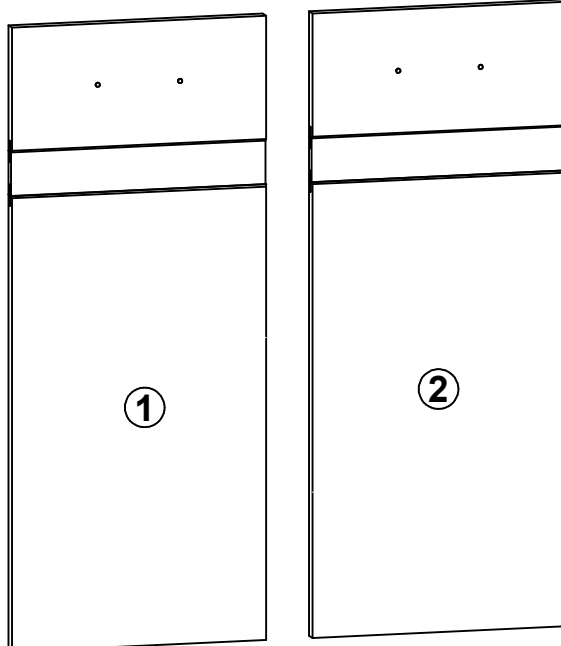
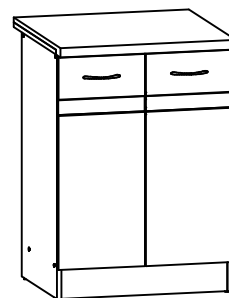
1



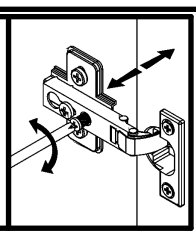
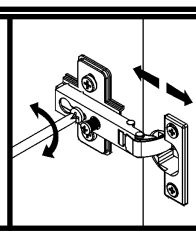
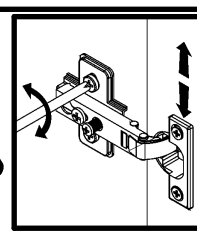
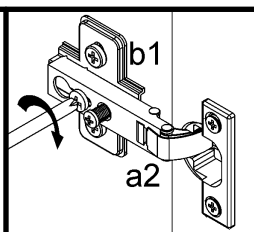
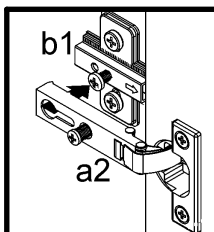
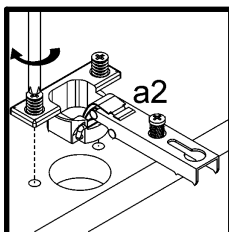
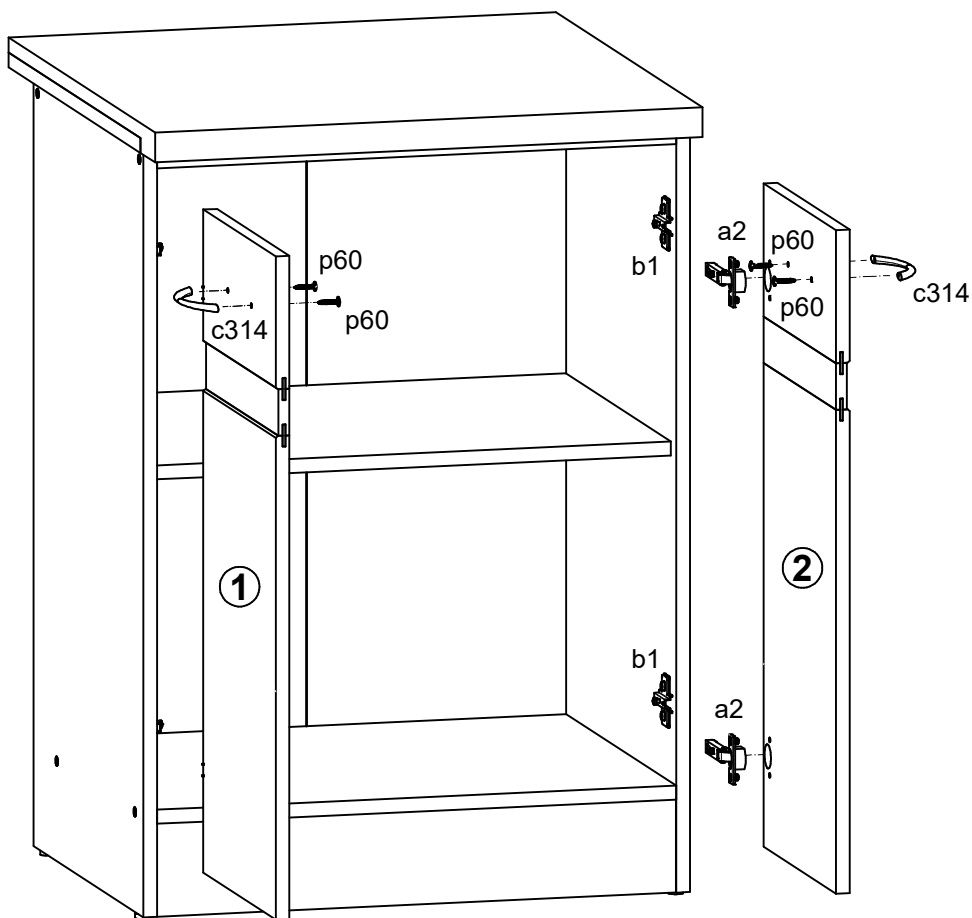
Junona Line

K22-D2D/60/82 Moduł B , B + A2

| A | B | C | D |
|------------------|---------|-----|---------|
| K22-D2D/40/82 | | | |
| 1 | K22-026 | 296 | 713 3/3 |
| 2 | K22-027 | 296 | 713 3/3 |
| Moduł B , B + A2 | | | |
| 1 | K22-026 | 296 | 713 2/2 |
| 2 | K22-027 | 296 | 713 2/2 |



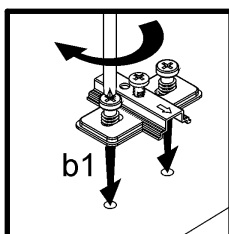
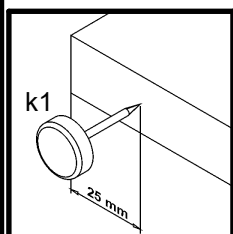
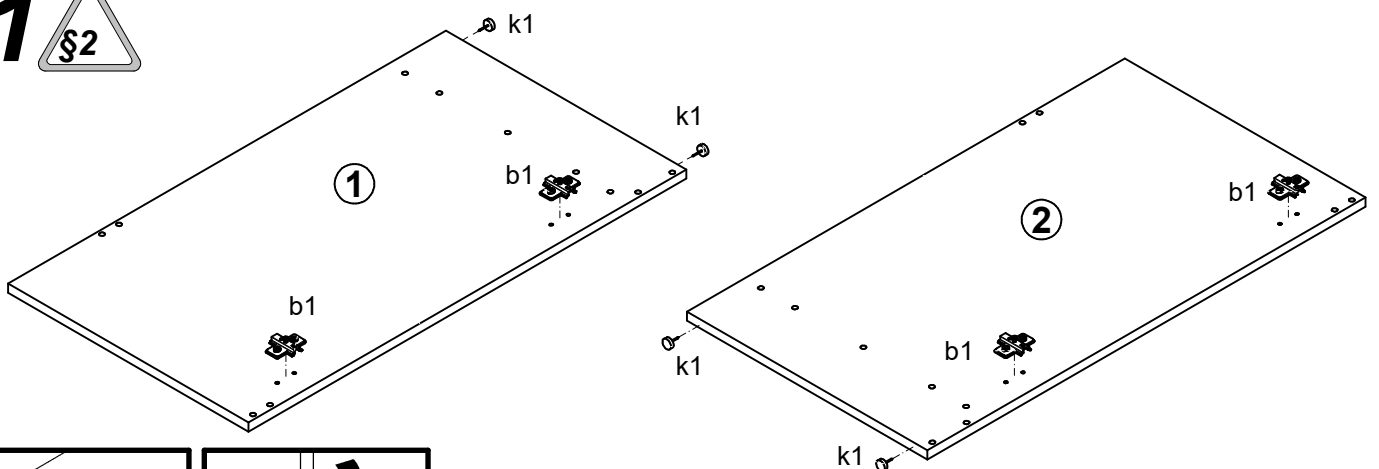
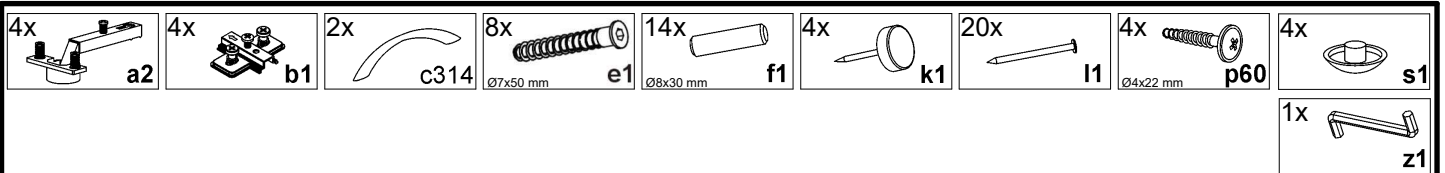
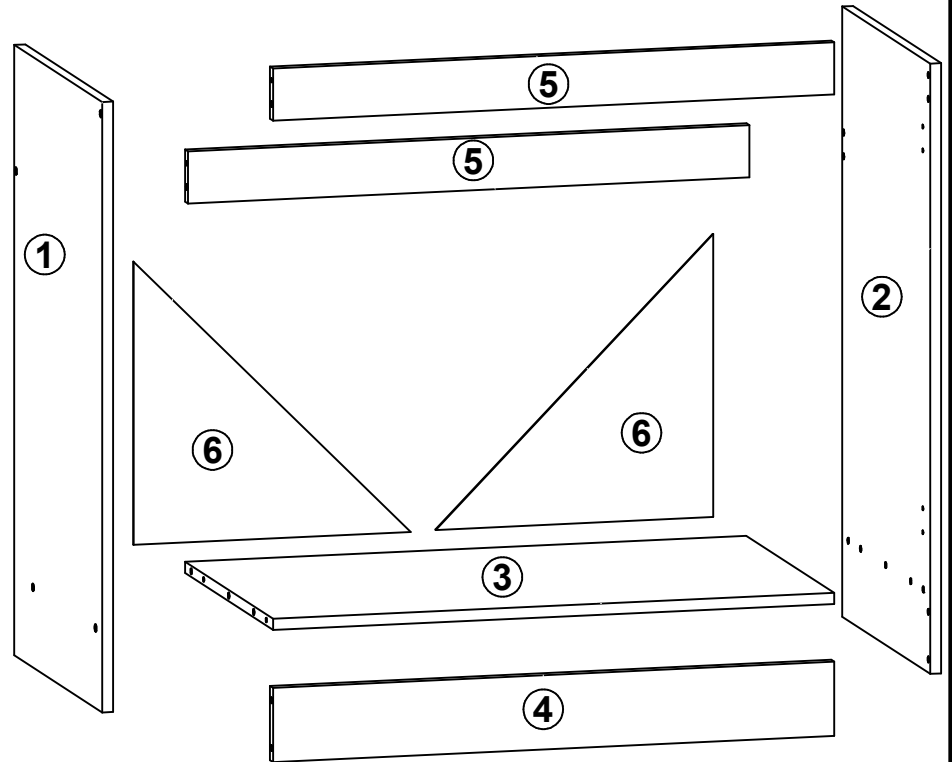
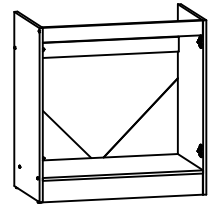
1



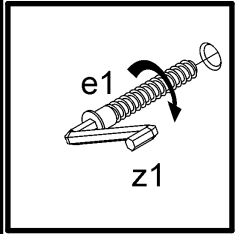
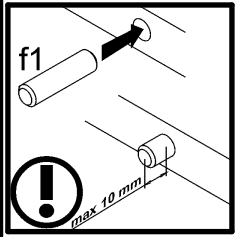
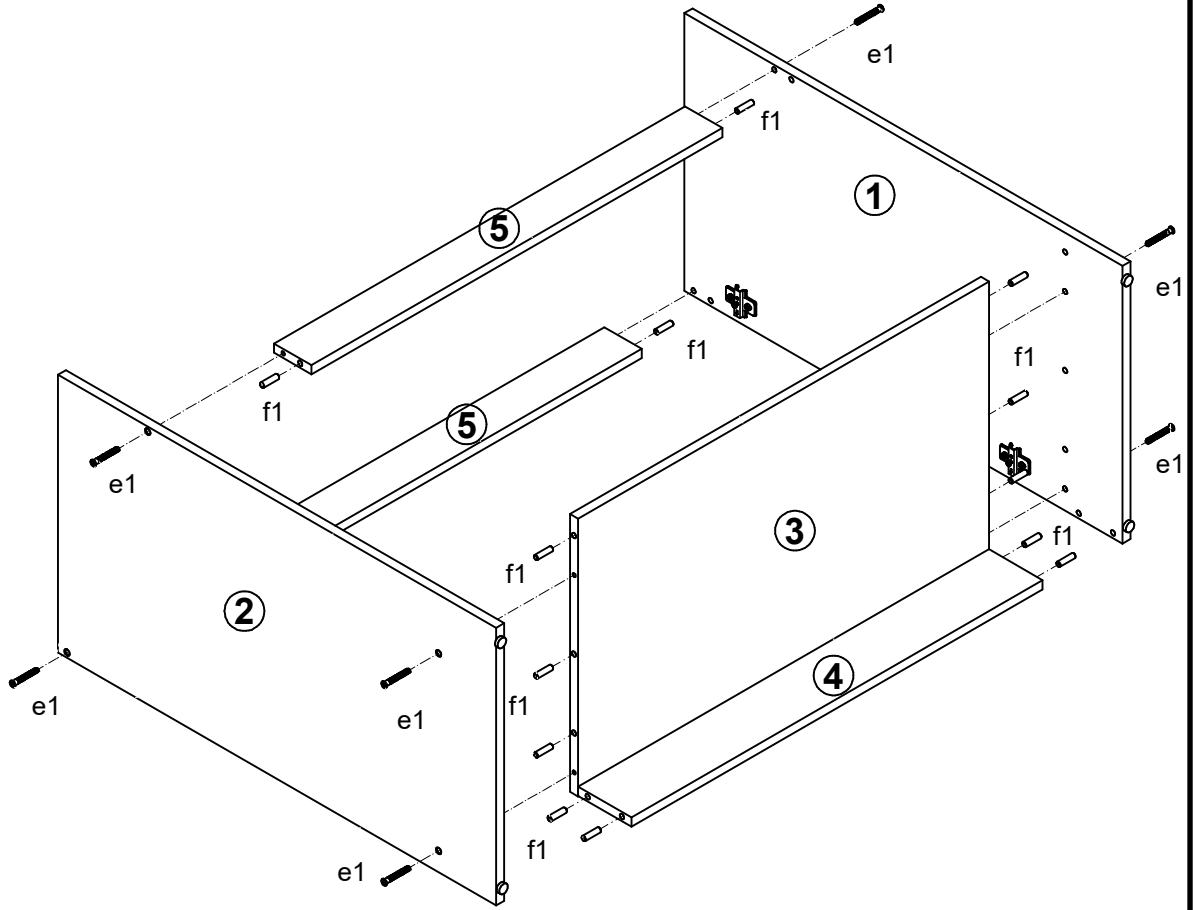
Junona Line K22-DK2D/80/82

Moduł A , A + A1

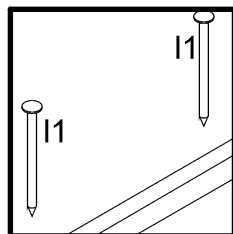
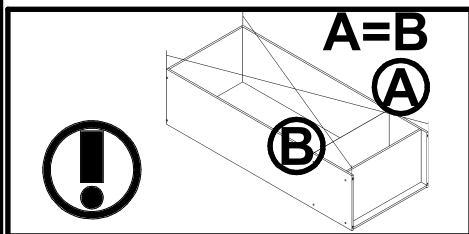
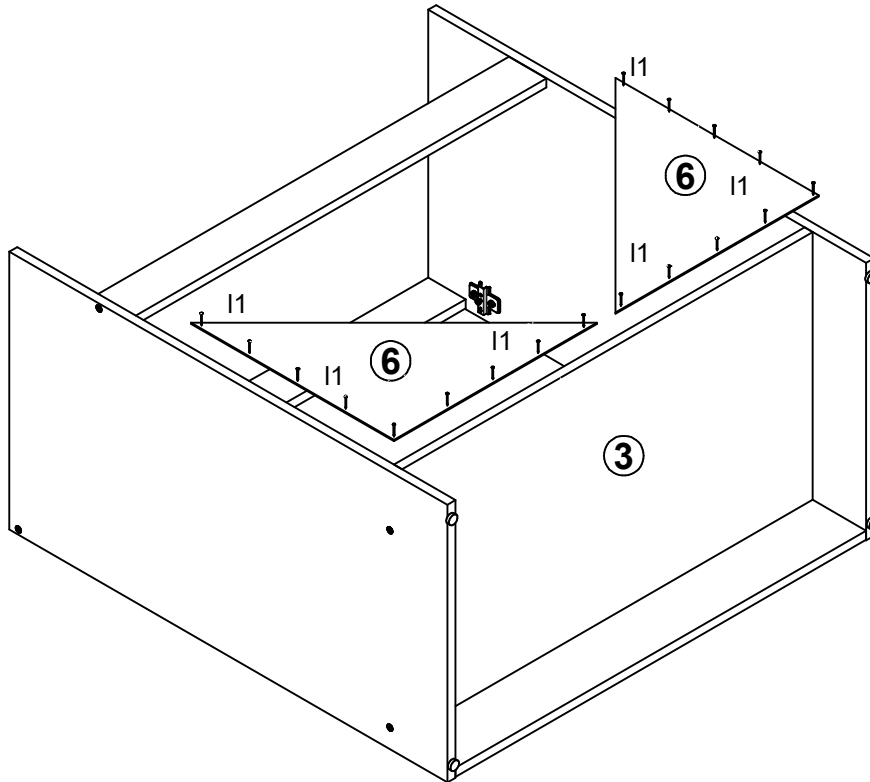
| A | B | C | D | |
|-------------------------|---------|-----|-----|-----|
| K22-DK2D/80/82 | | | | |
| 1 | K22-116 | 820 | 450 | 1/2 |
| 2 | K22-117 | 820 | 450 | 1/2 |
| 3 | K22-327 | 769 | 450 | 1/2 |
| 4 | K22-417 | 769 | 100 | 1/2 |
| 5 | K22-418 | 769 | 70 | 1/2 |
| 6 | K22-918 | 380 | 380 | 1/2 |
| Moduł A , A + A1 | | | | |
| 1 | K22-116 | 820 | 450 | 1/3 |
| 2 | K22-117 | 820 | 450 | 1/3 |
| 3 | K22-327 | 769 | 450 | 2/3 |
| 4 | K22-417 | 769 | 100 | 2/3 |
| 5 | K22-418 | 769 | 70 | 2/3 |
| 6 | K22-918 | 380 | 380 | 1/3 |



2 

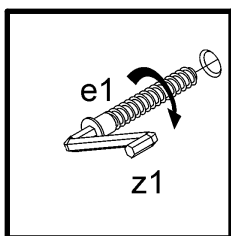
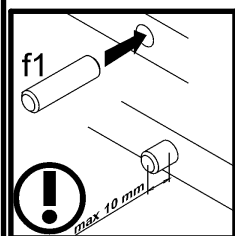
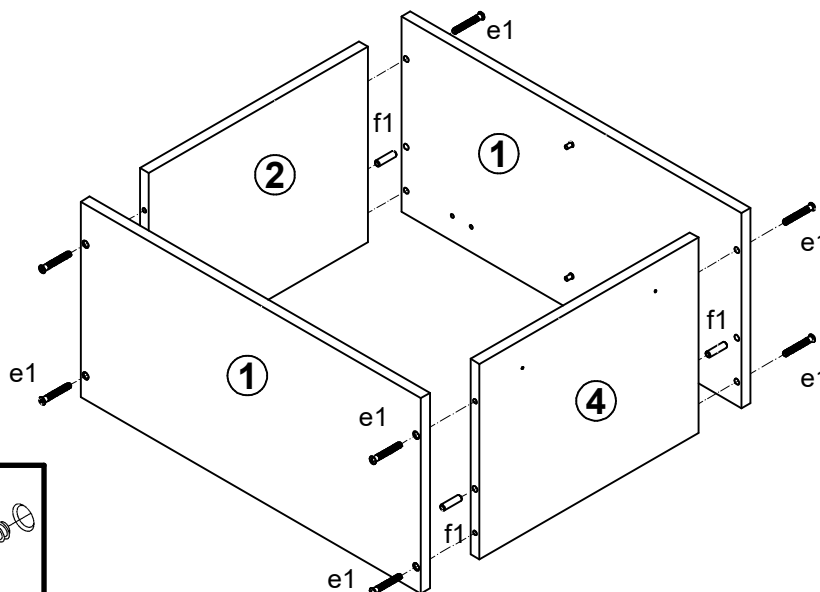
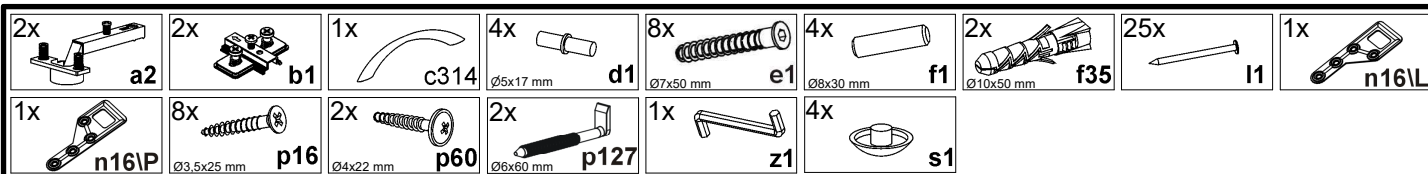
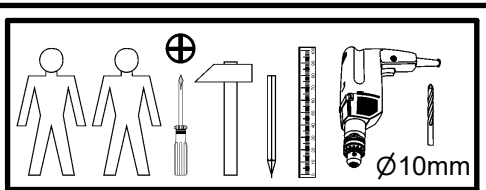
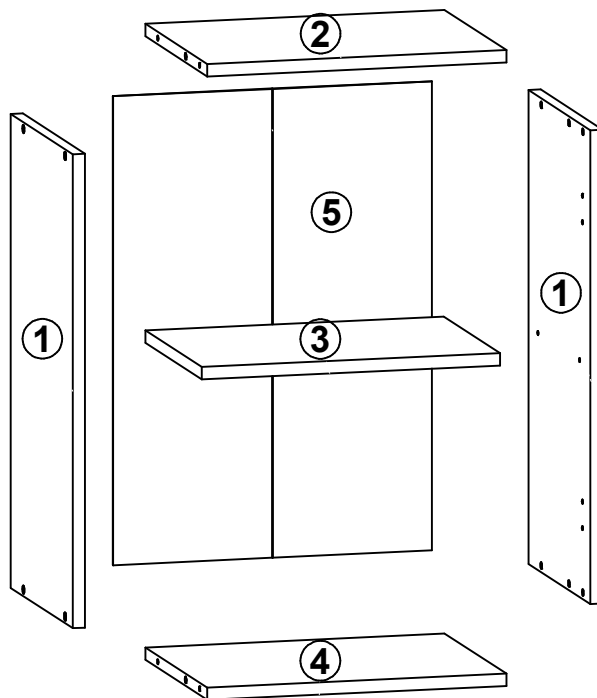
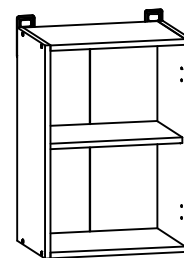


3

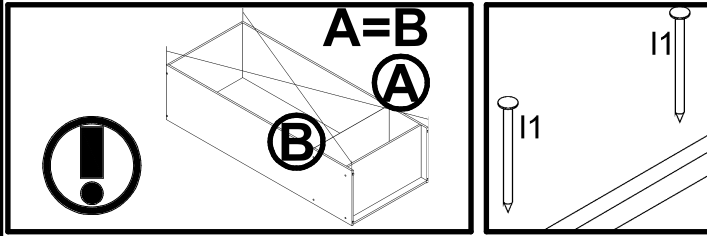
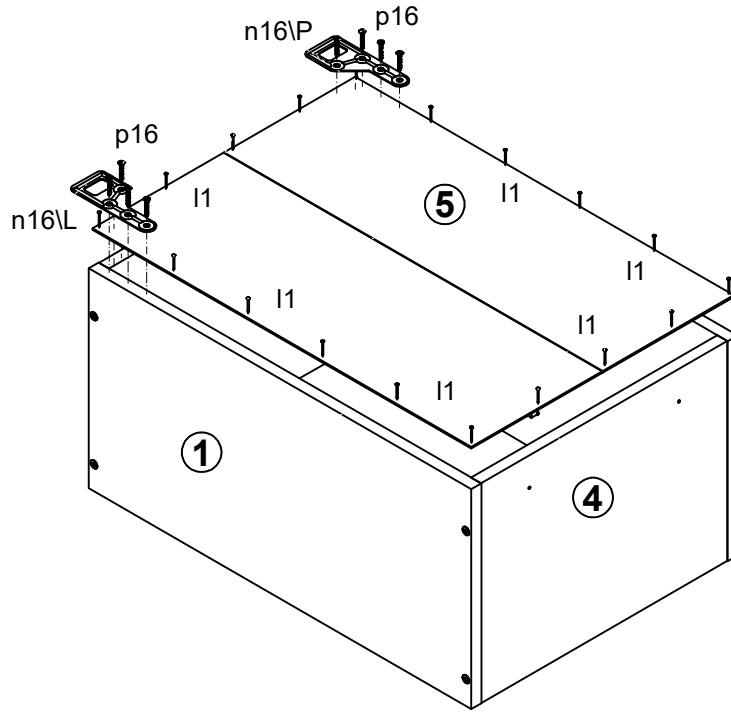


Junona Line K22-G1D/40/57-LP Moduł A , A + A1

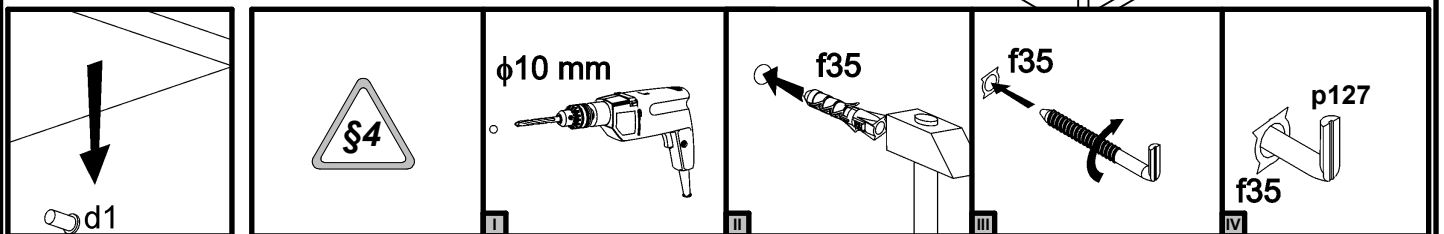
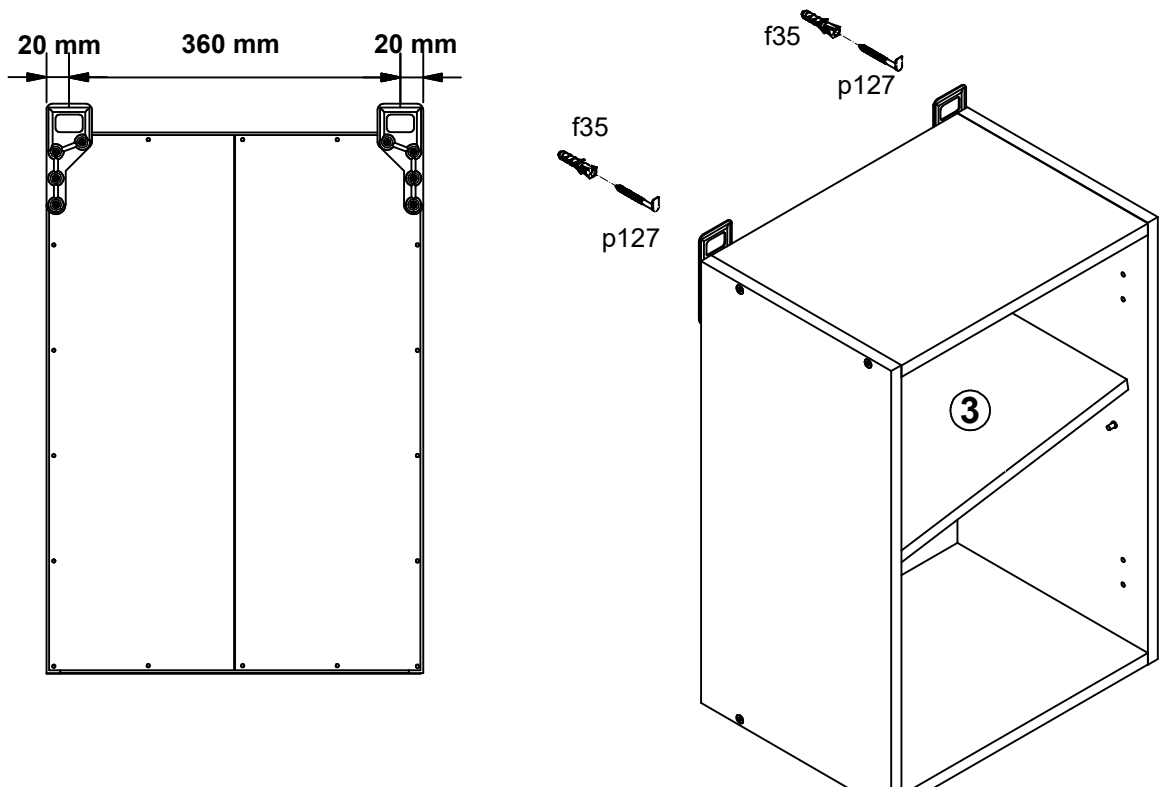
| A | B | C | D |
|-------------------------|---------|-----|---------|
| K22-G1D/40/57-LP | | | |
| 1 | K22-101 | 573 | 285 1/2 |
| 2 | K22-311 | 369 | 285 1/2 |
| 3 | K22-312 | 368 | 260 1/2 |
| 4 | K22-323 | 369 | 285 1/2 |
| 5 | K22-908 | 567 | 393 1/2 |
| Moduł A , A + A1 | | | |
| 1 | K22-101 | 573 | 285 2/3 |
| 2 | K22-311 | 369 | 285 2/3 |
| 3 | K22-312 | 368 | 260 2/3 |
| 4 | K22-323 | 369 | 285 2/3 |
| 5 | K22-908 | 567 | 393 2/3 |



2 §6



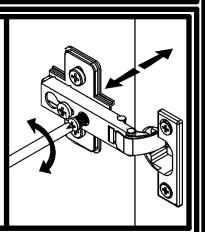
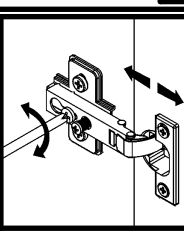
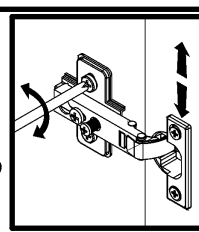
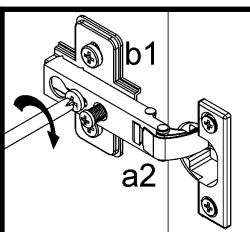
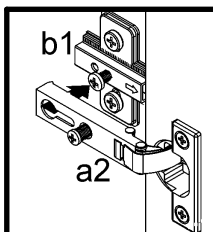
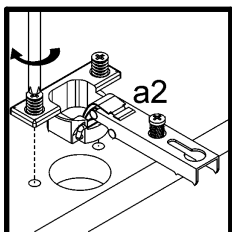
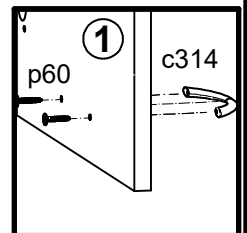
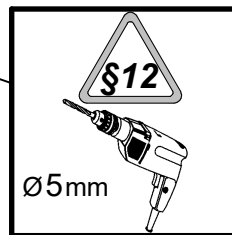
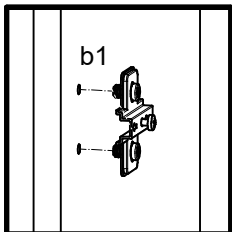
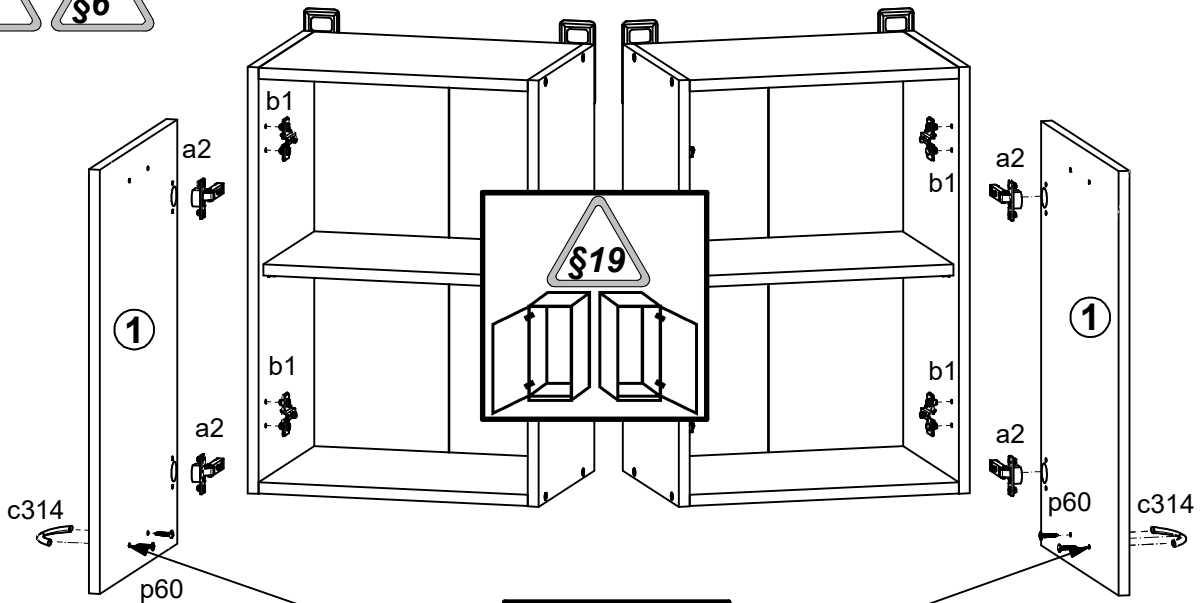
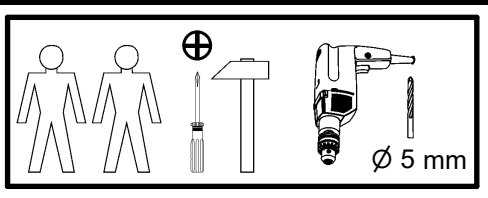
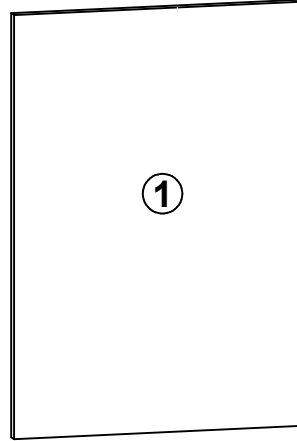
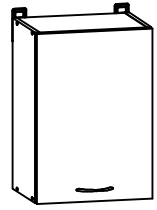
3



Junona Line

K22-G1D/40/57-LP Moduł A , A + A1

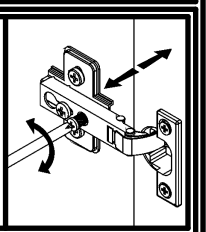
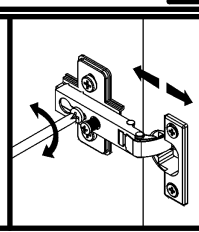
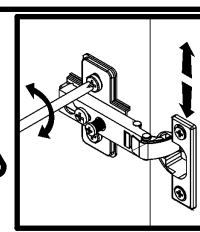
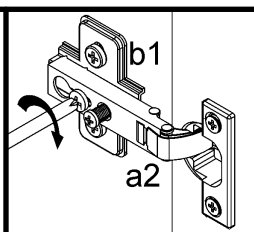
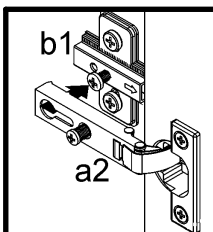
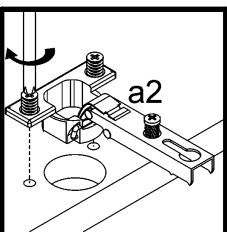
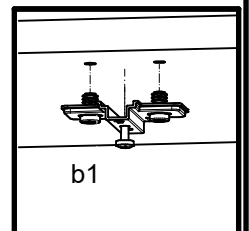
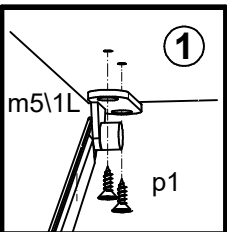
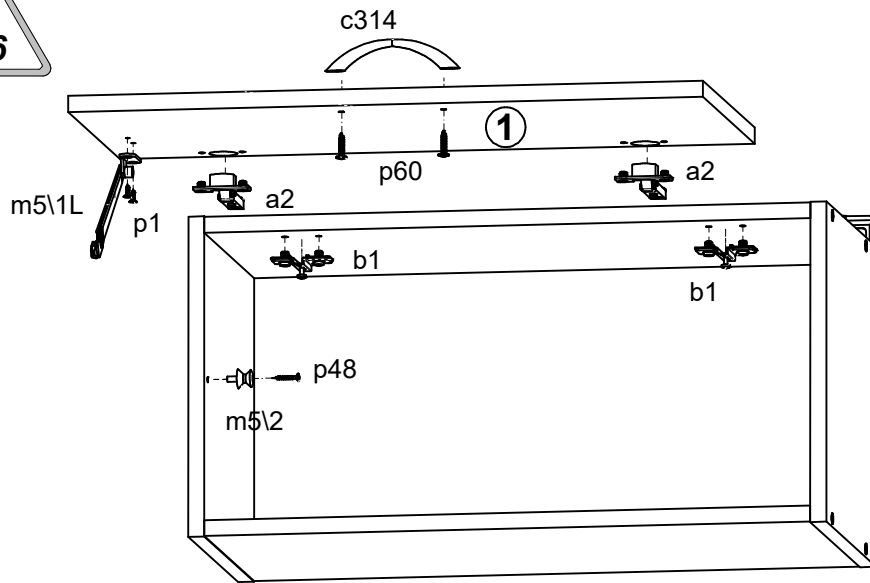
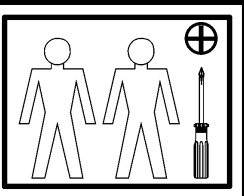
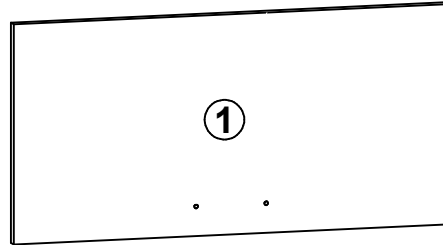
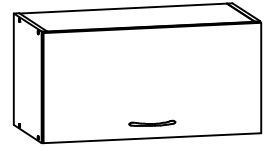
| A | B | C | D | |
|------------------|---------|-----|-----|-----|
| K22-G1D/40/57-LP | | | | |
| 1 | K22-029 | 396 | 570 | 2/2 |
| Moduł A , A + A1 | | | | |
| 1 | K22-029 | 396 | 570 | 3/3 |



Junona Line

K22-GO/60/30 Moduł C60

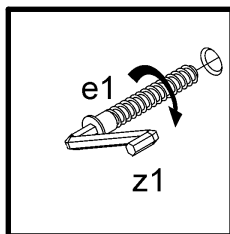
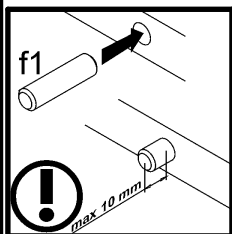
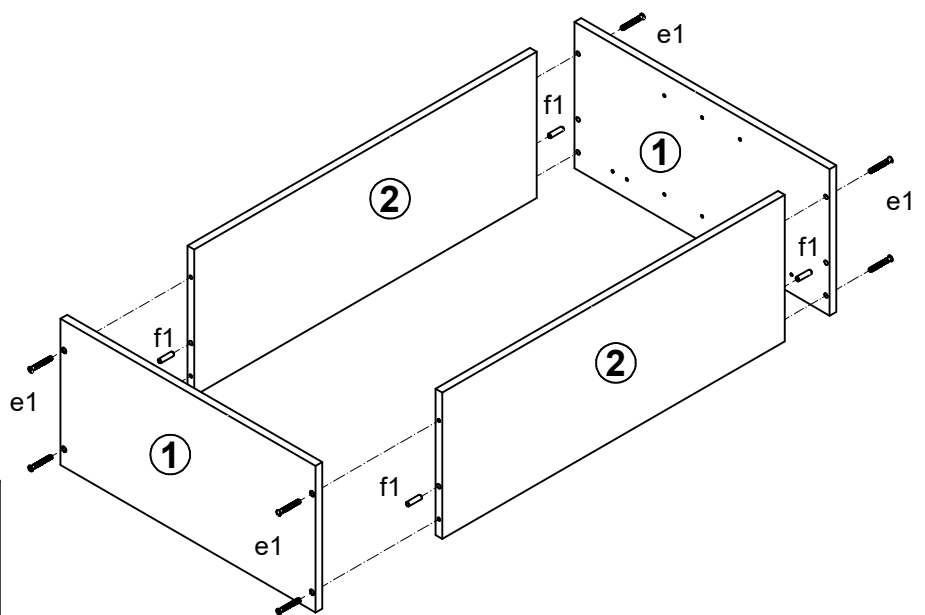
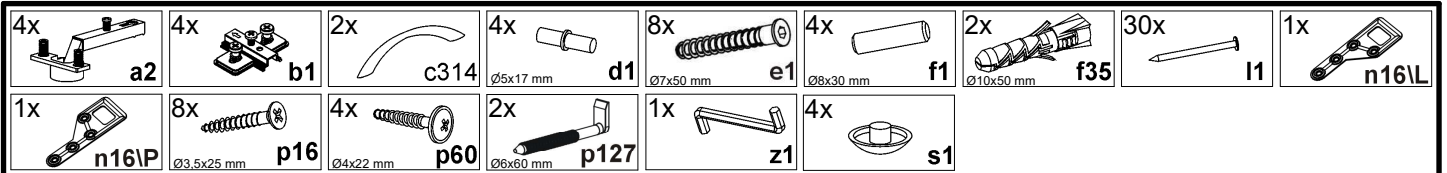
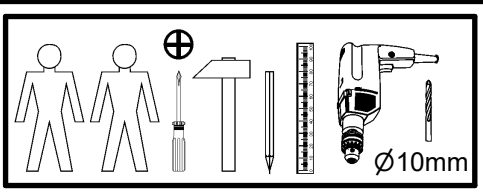
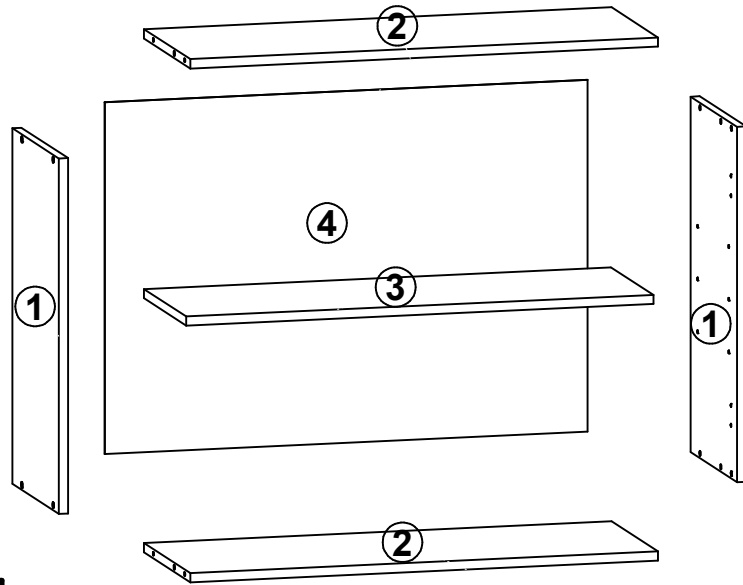
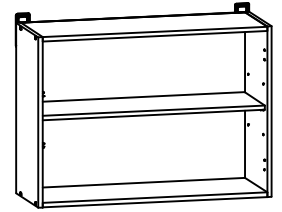
| A | B | C | D |
|---|---------|-----|-----|
| 1 | K22-019 | 596 | 296 |



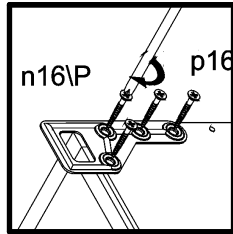
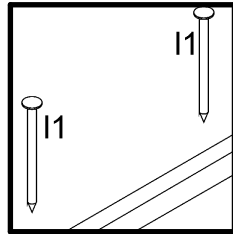
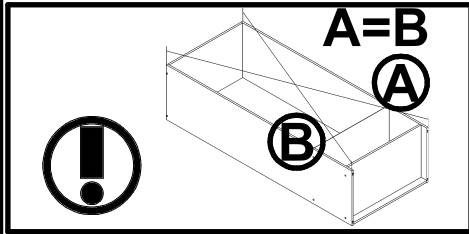
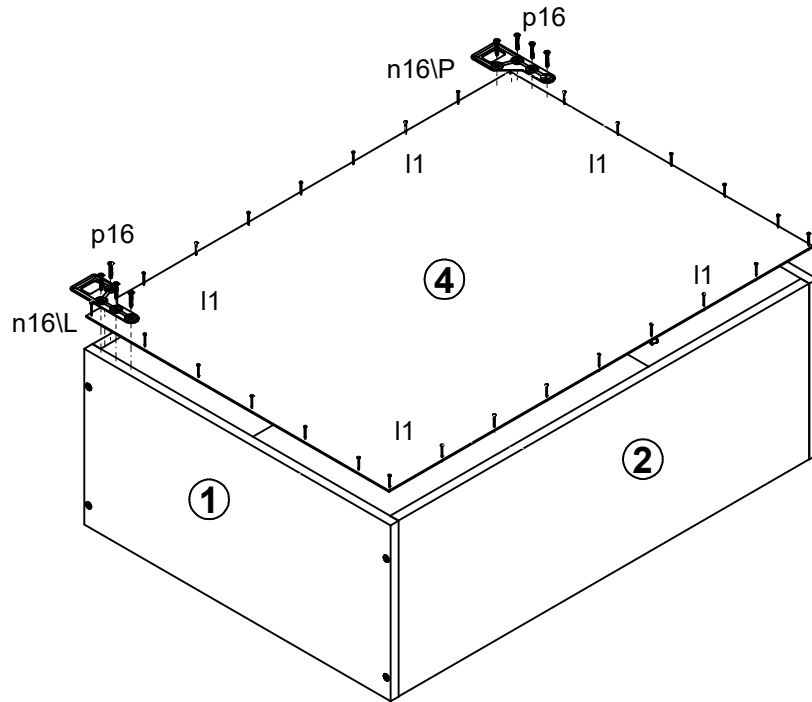
Junona Line

K22-G2W/80/57 Moduł A , A + A1

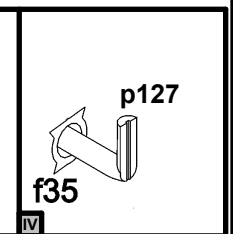
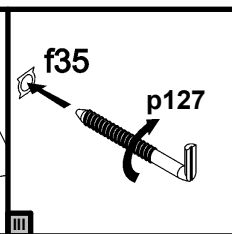
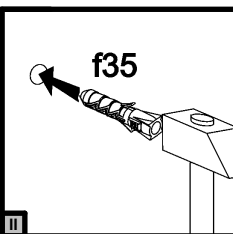
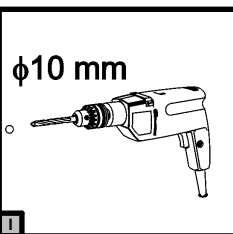
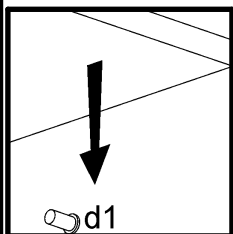
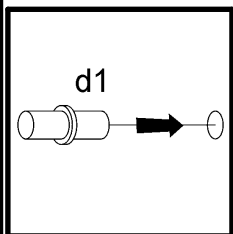
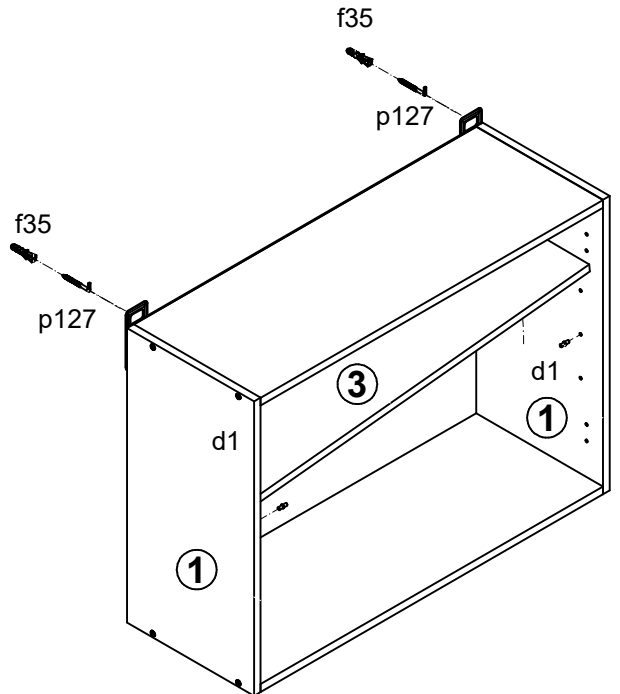
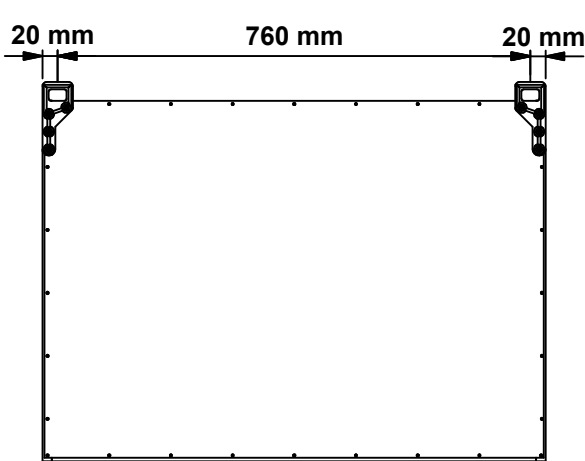
| A | B | C | D |
|-------------------------|---------|-----|---------|
| K22-G2W/80/57 | | | |
| 1 | K22-120 | 573 | 285 1/2 |
| 2 | K22-328 | 769 | 285 1/2 |
| 3 | K22-329 | 768 | 260 1/2 |
| 4 | K22-919 | 567 | 793 1/2 |
| Moduł A , A + A1 | | | |
| 1 | K22-120 | 573 | 285 2/3 |
| 2 | K22-328 | 769 | 285 2/3 |
| 3 | K22-329 | 768 | 260 2/3 |
| 4 | K22-919 | 567 | 793 2/3 |



2 §6



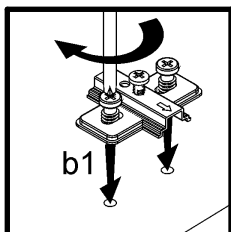
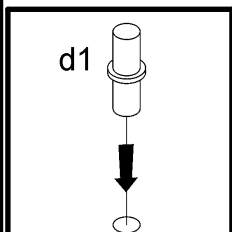
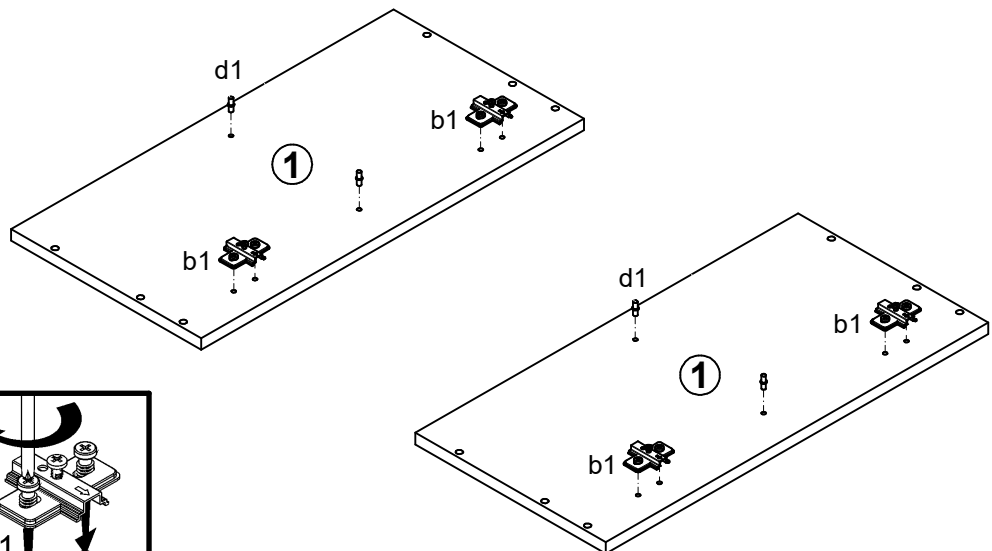
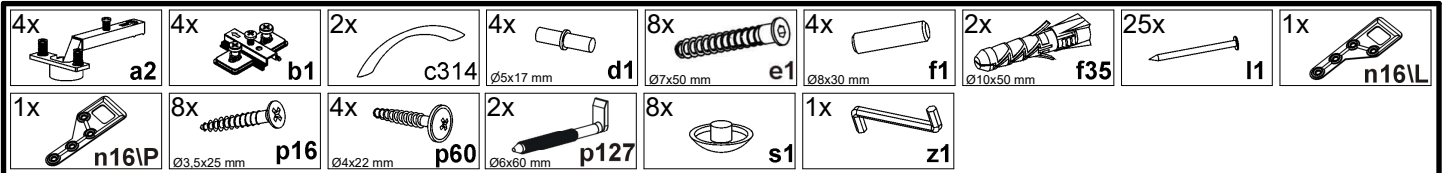
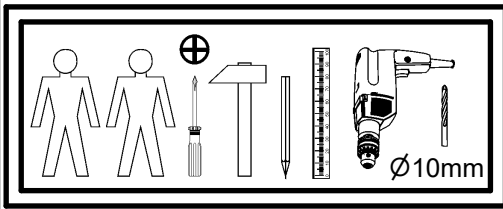
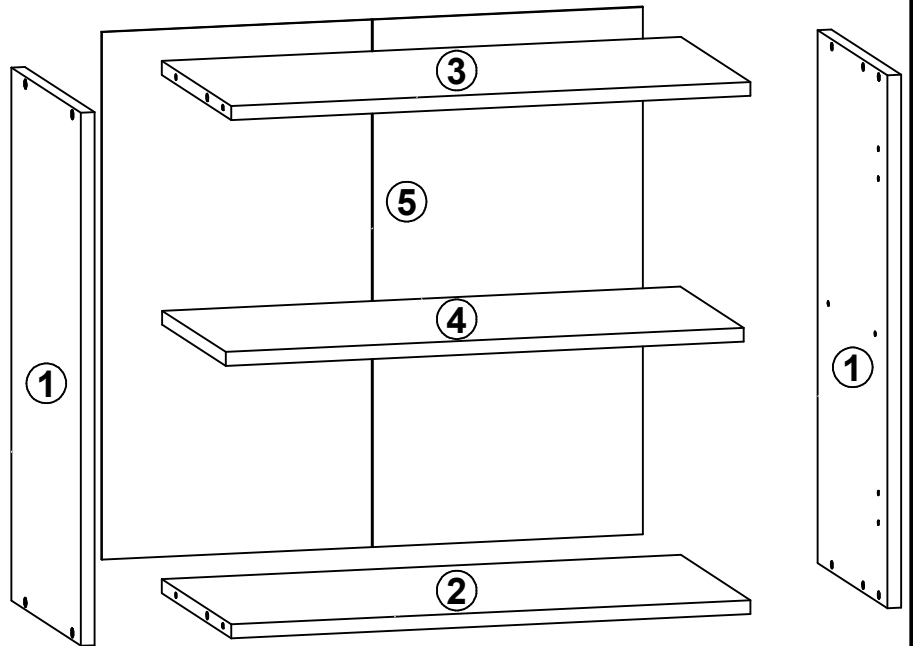
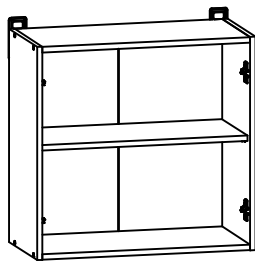
3

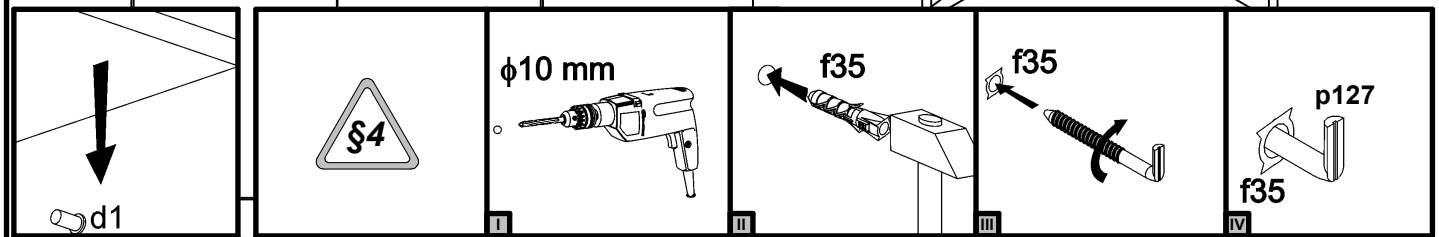
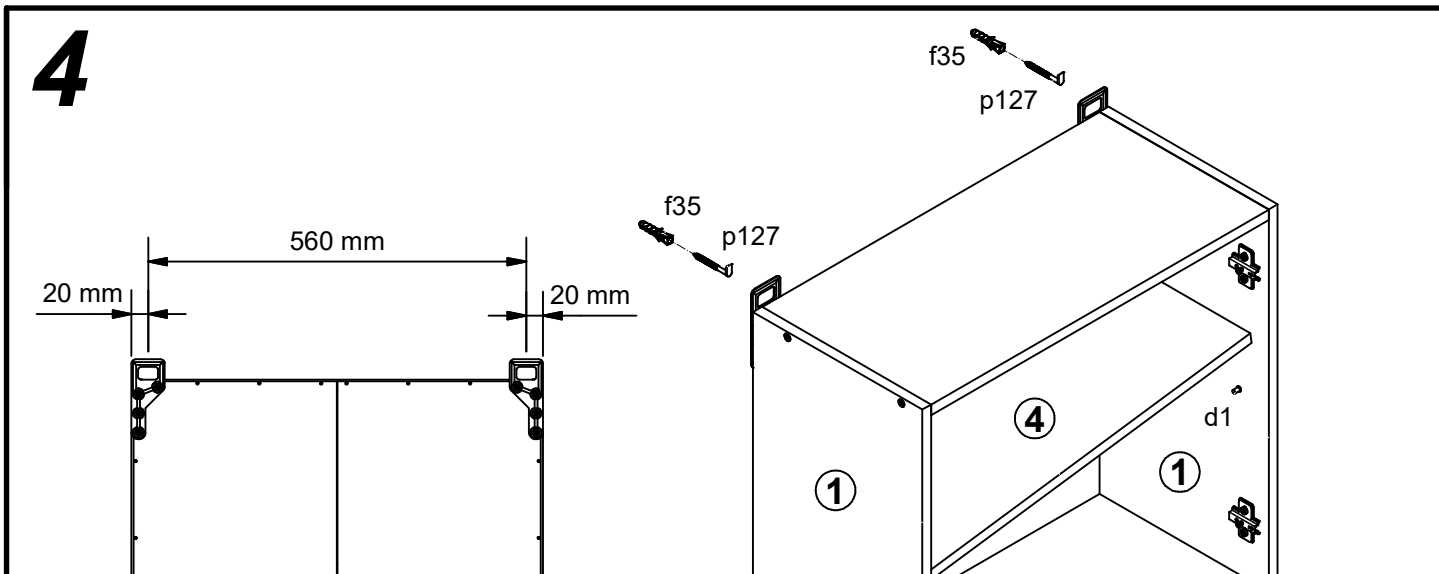
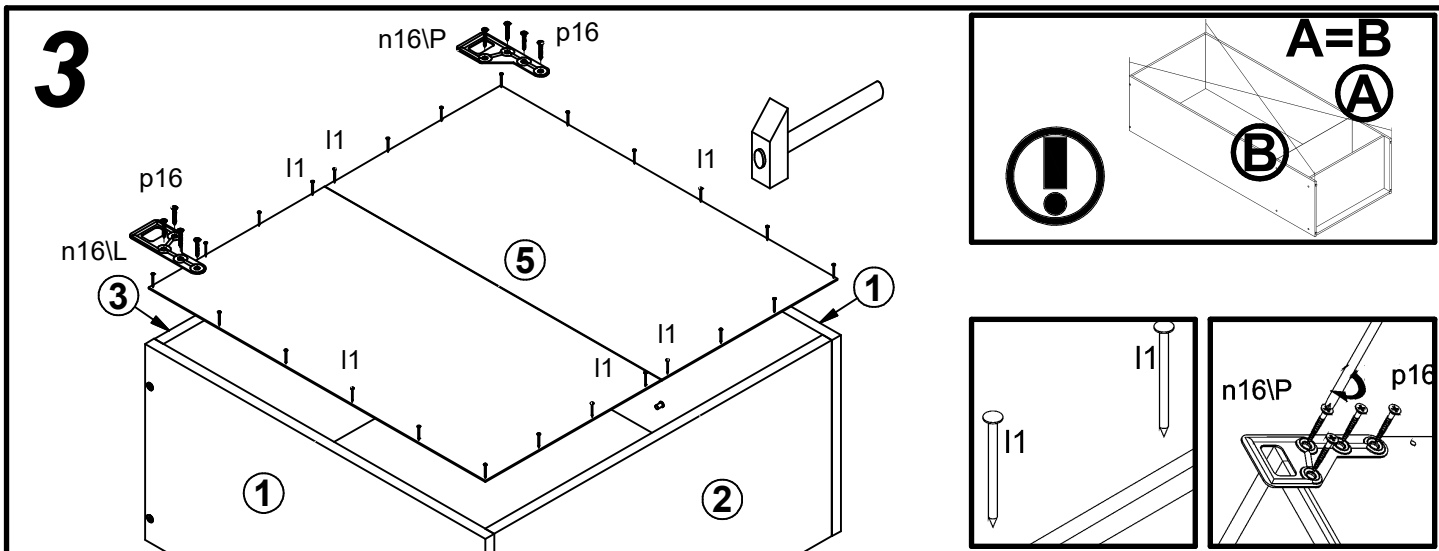
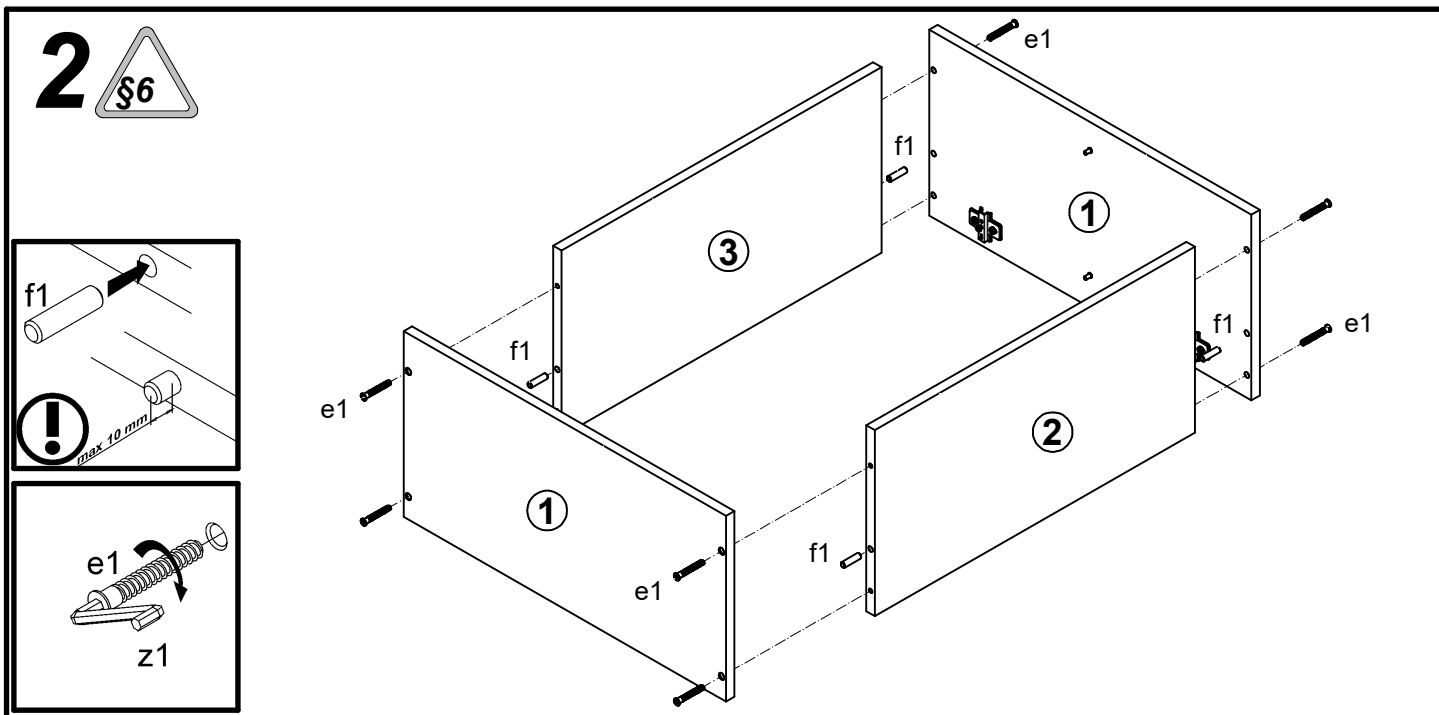


Junona Line

K22-G2D/60/57 Moduł B , B + A2

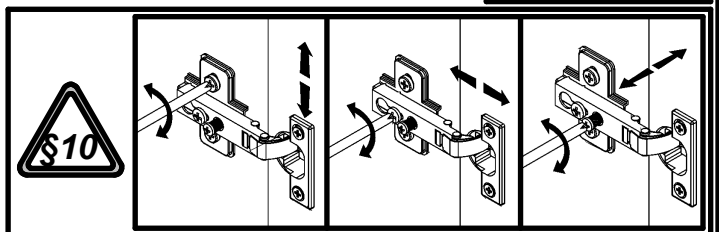
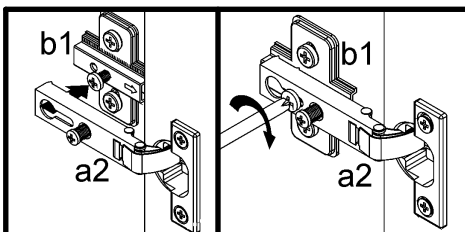
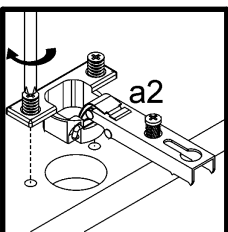
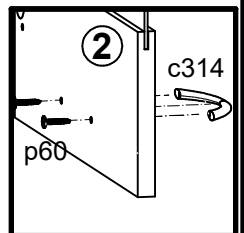
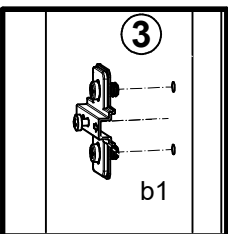
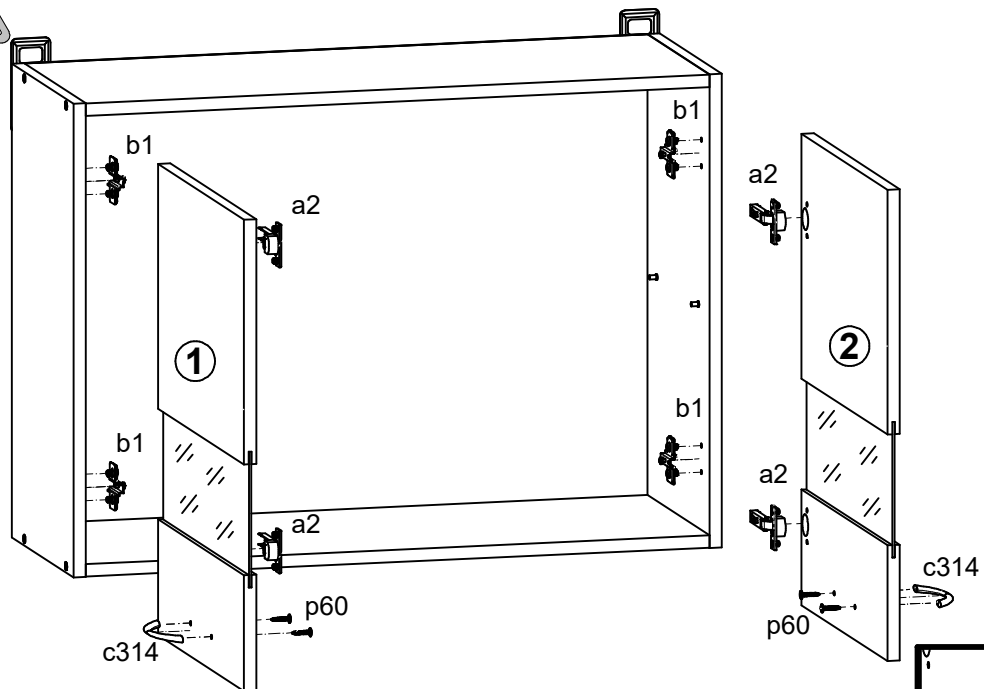
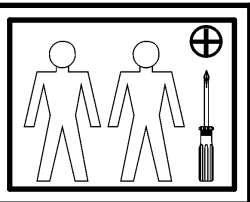
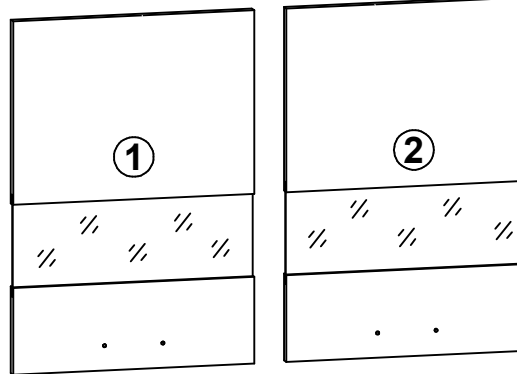
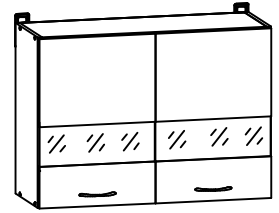
| A | B | C | D |
|---|---------|-----|---------|
| 1 | K22-101 | 573 | 285 1/2 |
| 2 | K22-330 | 569 | 285 1/2 |
| 3 | K22-343 | 569 | 285 1/2 |
| 4 | K22-344 | 568 | 260 1/2 |
| 5 | K22-927 | 567 | 593 1/2 |





Junona Line K22-G2W/80/57-frn Moduł A , A + A1

| A | B | C | D |
|-------------------|---------|-----|---------|
| K22-G2W/80/57-frn | | | |
| 1 | K22-017 | 396 | 570 2/2 |
| 2 | K22-018 | 396 | 570 2/2 |
| Moduł A , A + A1 | | | |
| 1 | K22-017 | 396 | 570 3/3 |
| 2 | K22-018 | 396 | 570 3/3 |

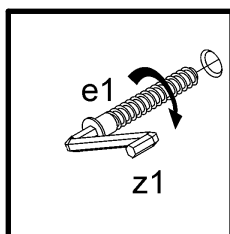
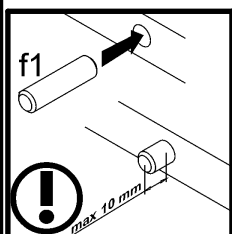
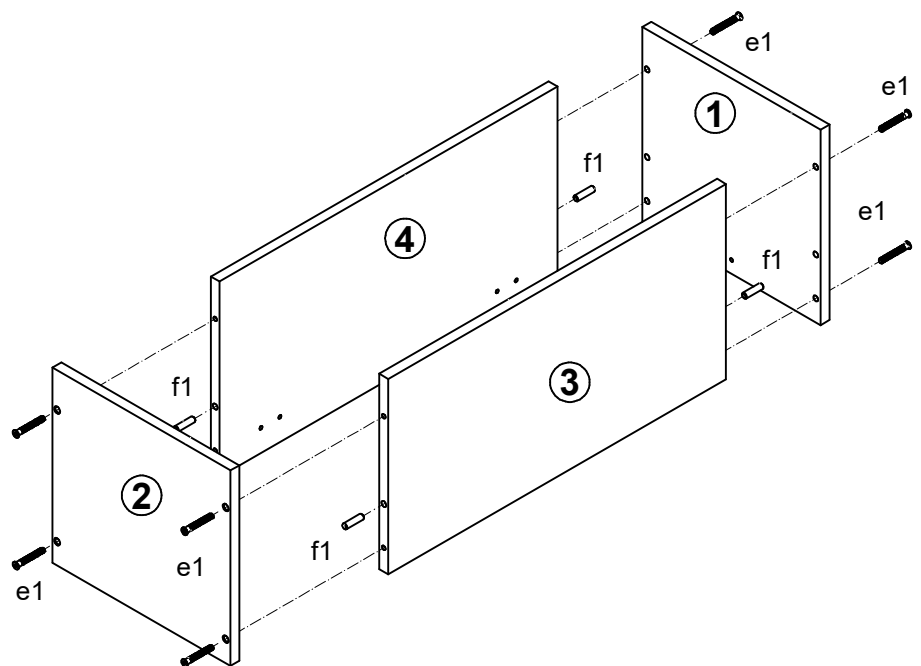
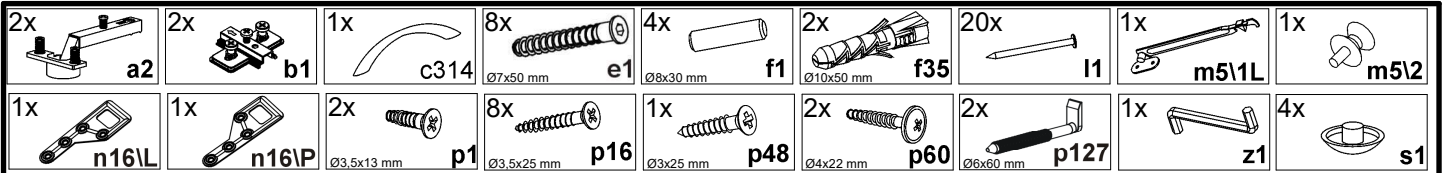
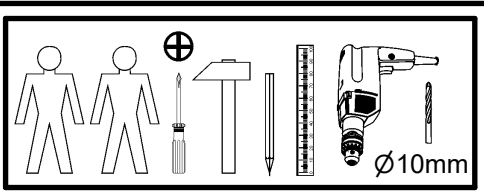
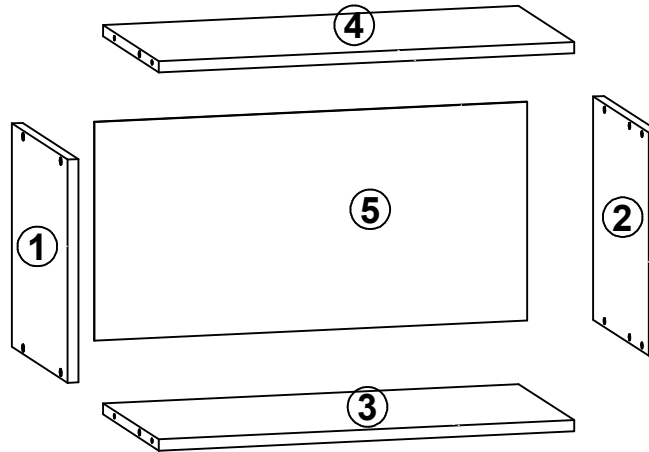


Junona Line

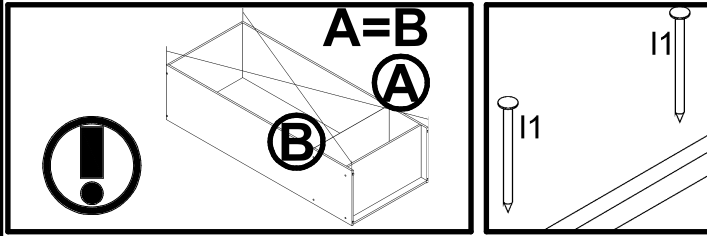
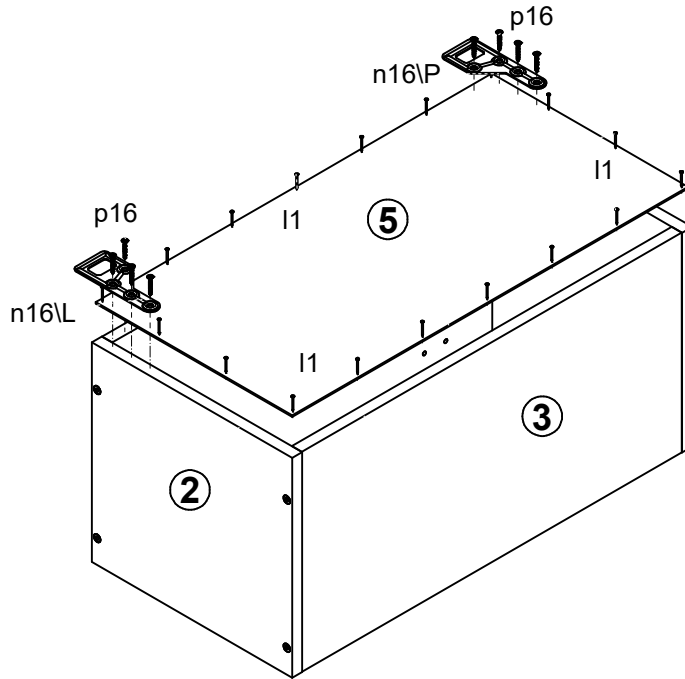
K22-GO/60/30

Moduł C60

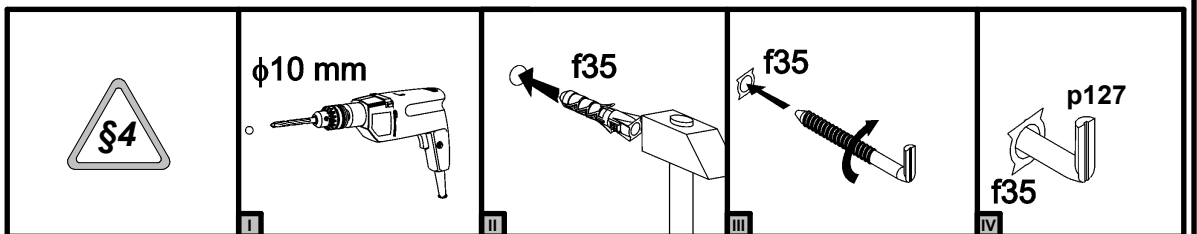
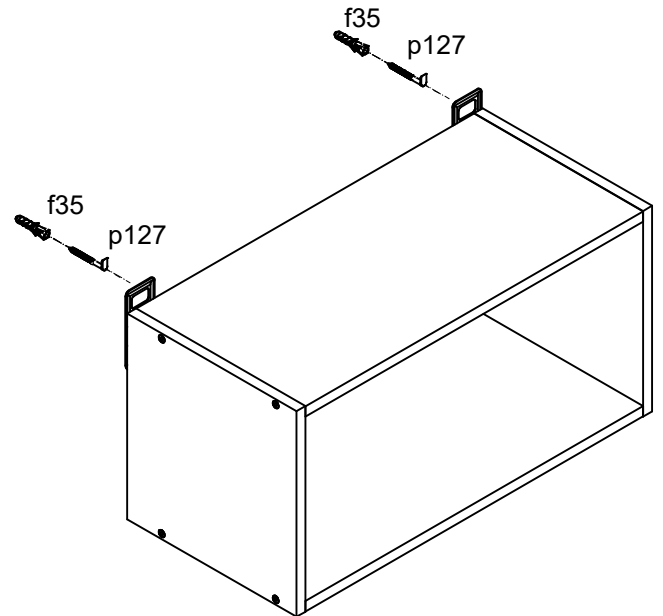
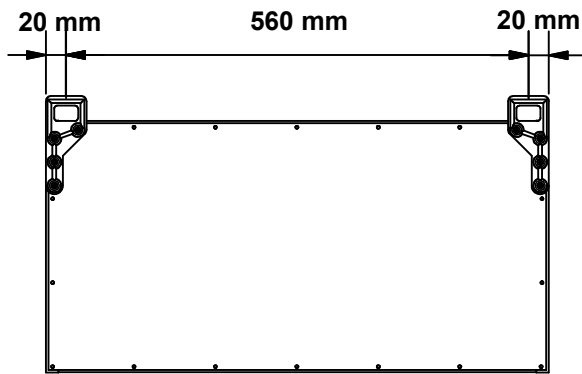
| A | B | C | D |
|---|---------|-----|-----|
| 1 | K22-118 | 300 | 285 |
| 2 | K22-119 | 300 | 285 |
| 3 | K22-330 | 569 | 285 |
| 4 | K22-331 | 569 | 285 |
| 5 | K22-920 | 593 | 294 |



2 §6



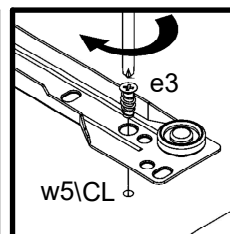
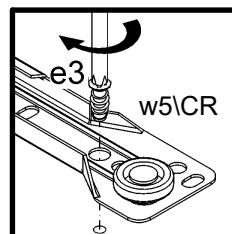
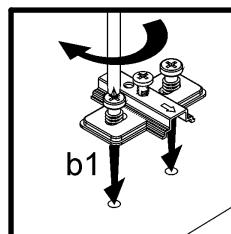
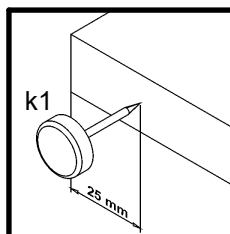
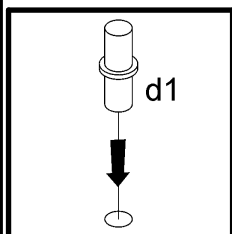
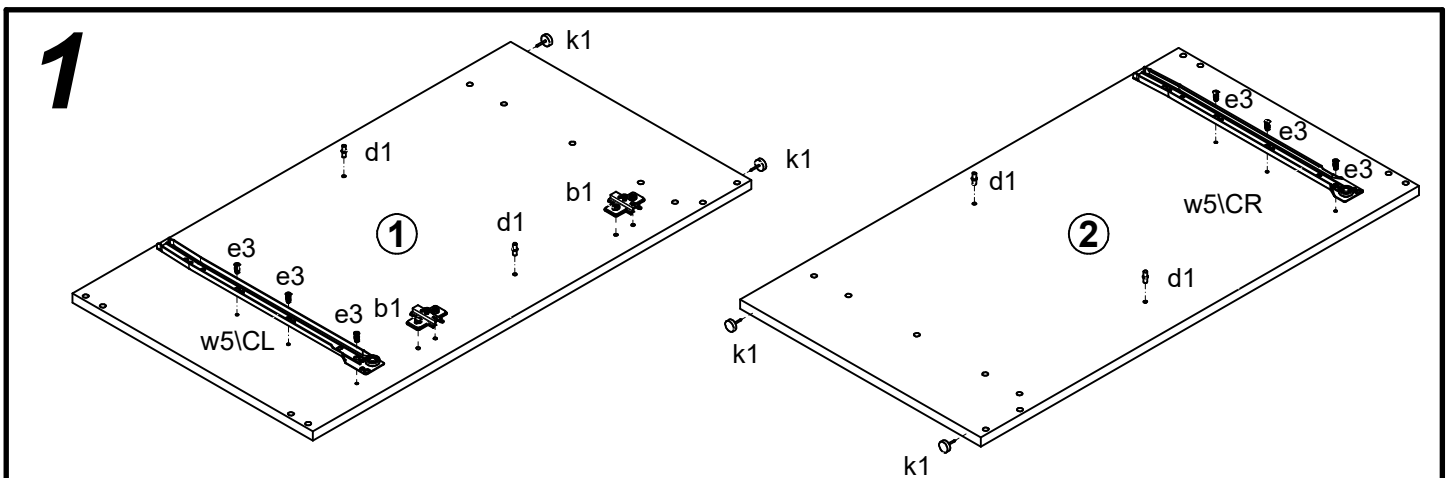
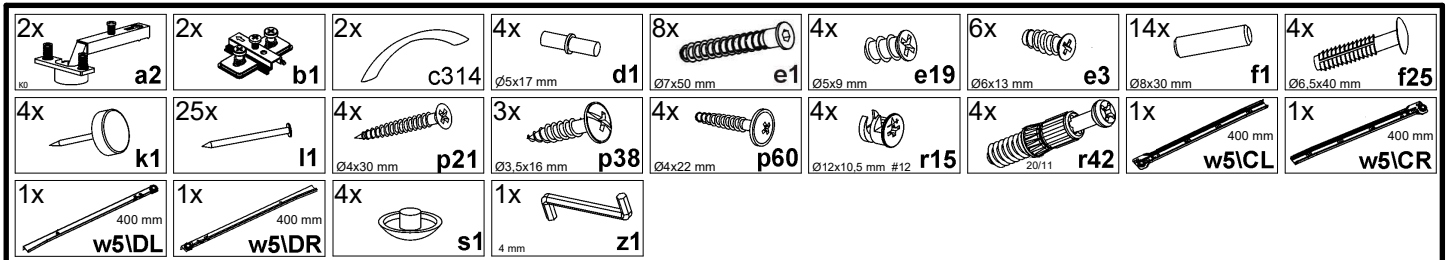
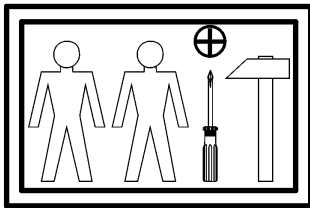
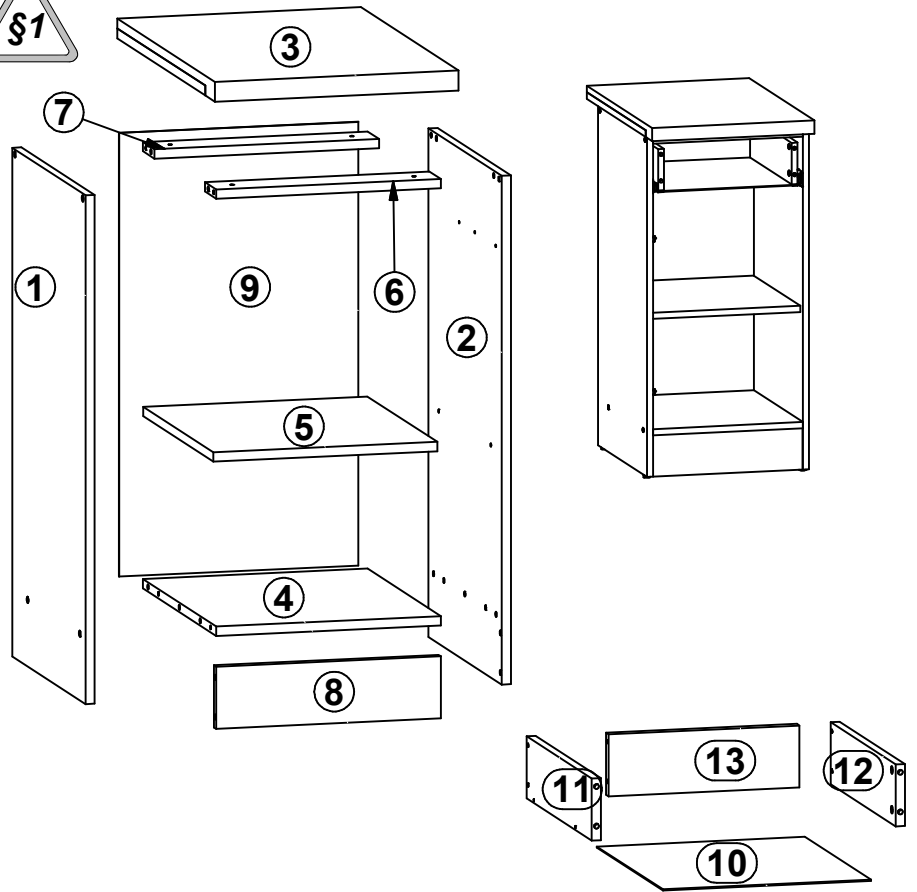
3



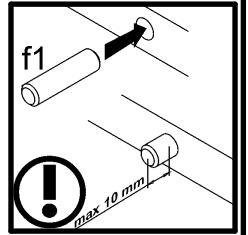
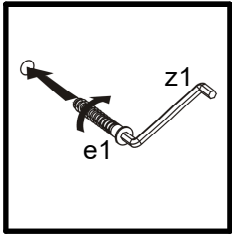
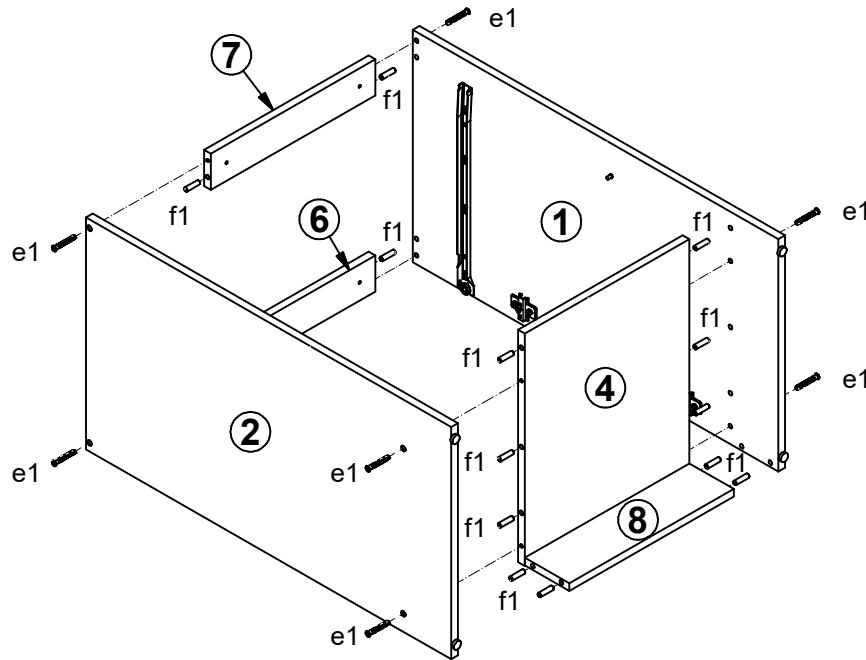
Junona Line K22-D1D1S/40/82

Moduł A , A + A1

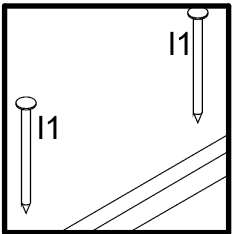
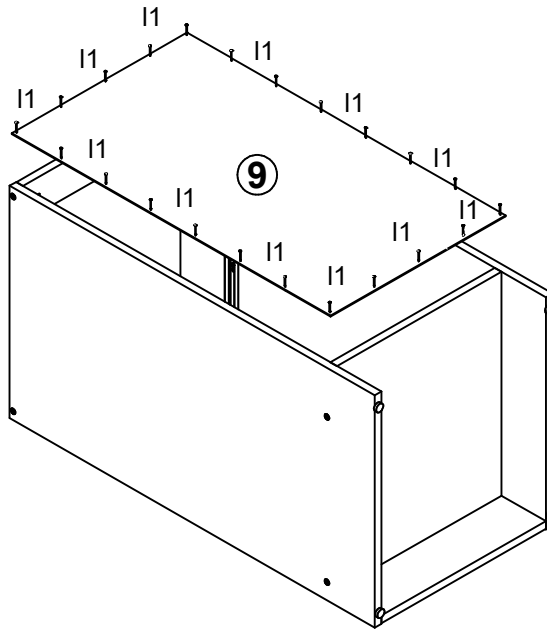
| A | B | C | D |
|-------------------------|----------|-----|---------|
| Moduł A , A + A1 | | | |
| 1 | K22-103 | 820 | 450 1/3 |
| 2 | K22-104 | 820 | 450 1/3 |
| 4 | K22-307 | 369 | 450 1/3 |
| 5 | K22-308 | 368 | 430 1/3 |
| 6 | K22-411 | 369 | 70 2/3 |
| 7 | K22-412 | 369 | 70 2/3 |
| 8 | K22-413 | 369 | 100 2/3 |
| 9 | K22-906 | 715 | 393 1/3 |
| 10 | K22-922 | 406 | 342 1/3 |
| 11 | K24-501 | 400 | 100 2/3 |
| 12 | K24-502 | 400 | 100 2/3 |
| 13 | ZS3-5527 | 314 | 100 2/3 |
| Moduł A + A1 | | | |
| 3 | K22-203 | 400 | 600 1/3 |



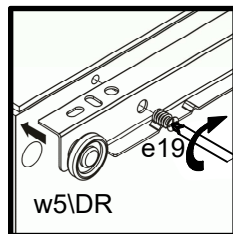
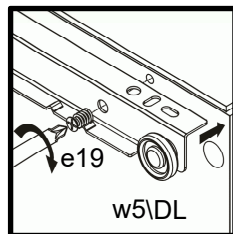
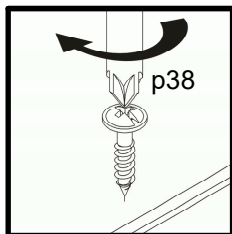
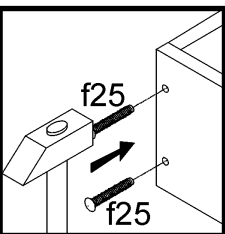
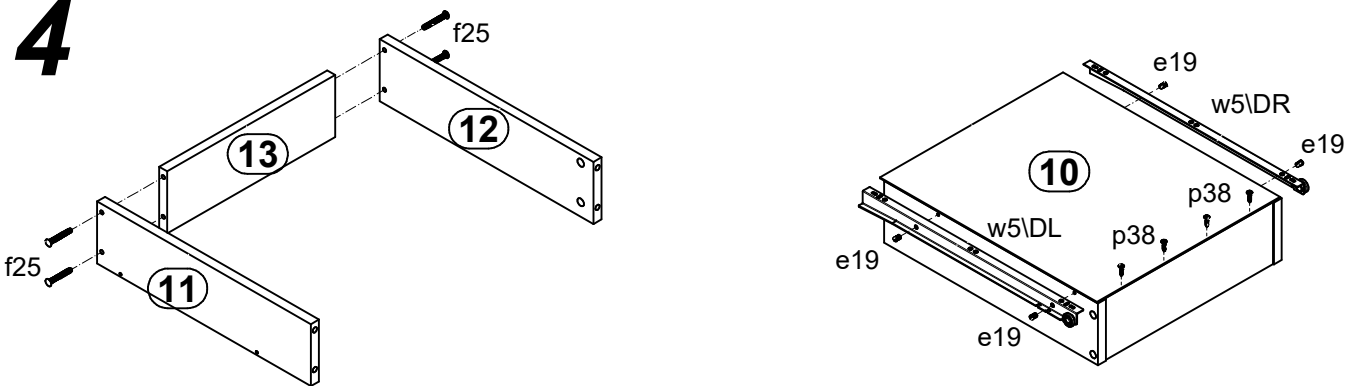
2



3



4



5

