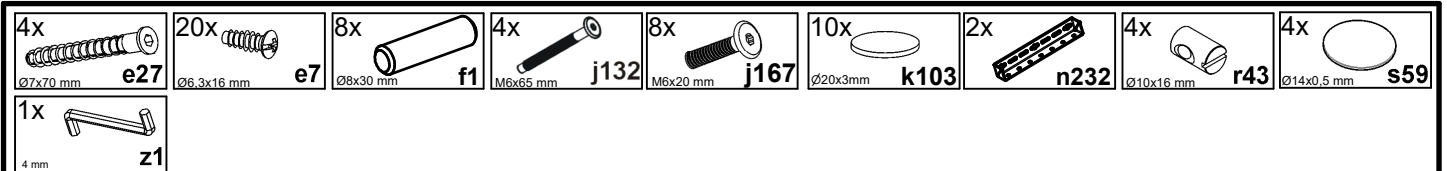
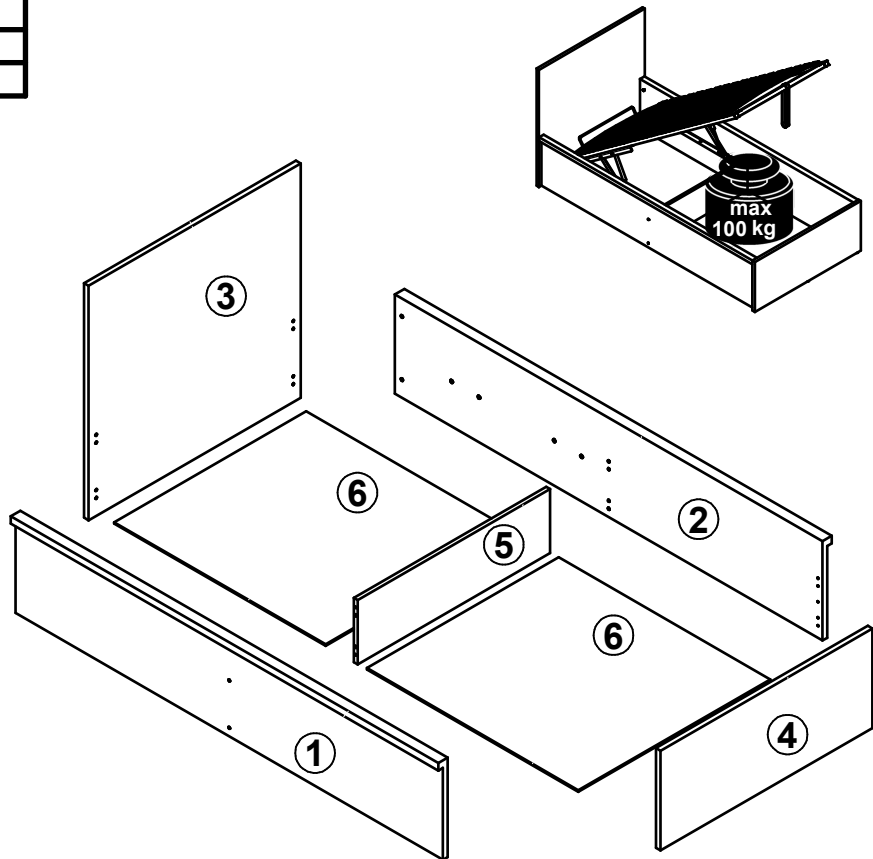
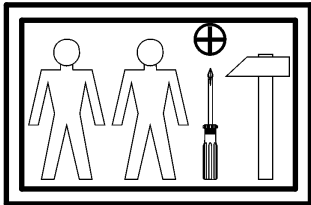
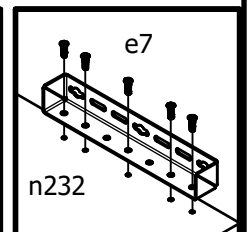
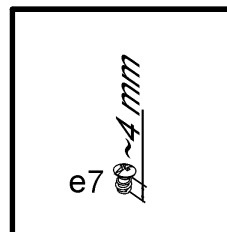
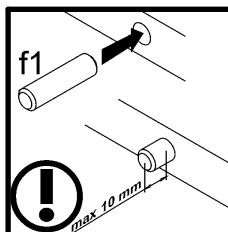
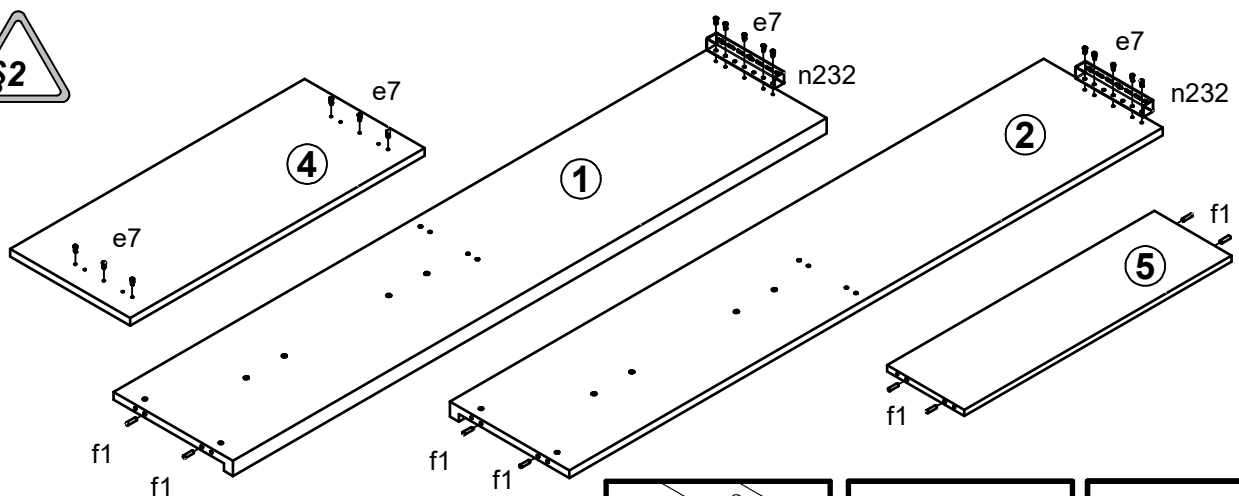
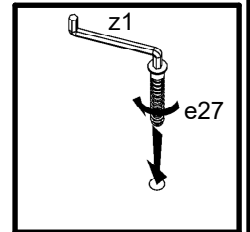
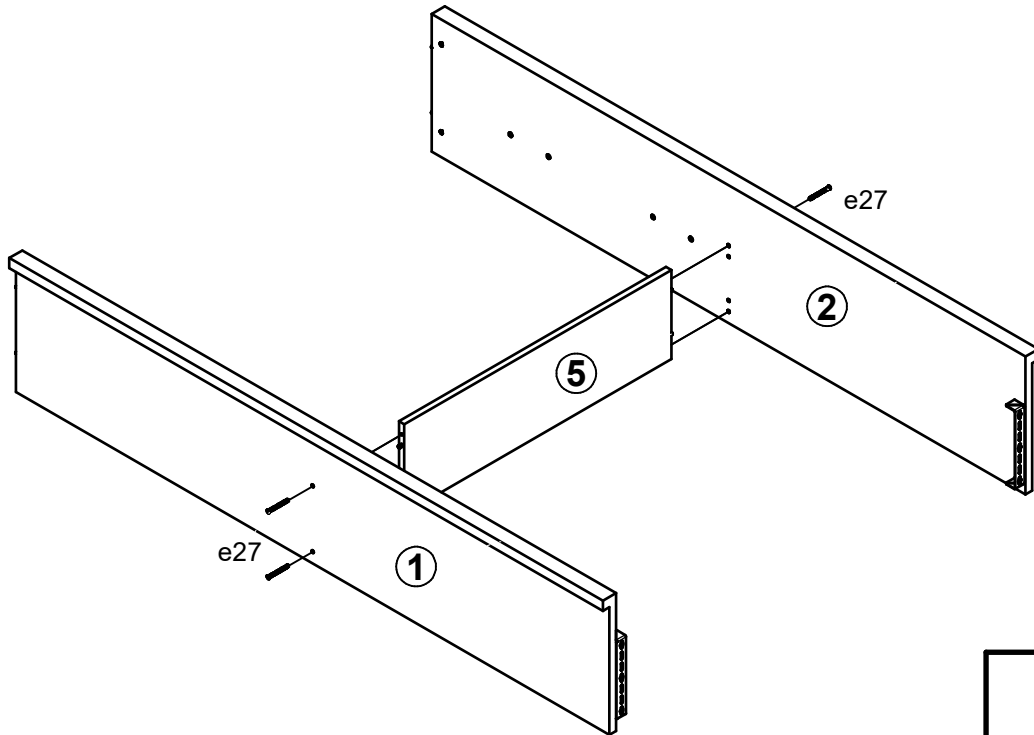


A**TETRIX****S442-LOZ/90/B**

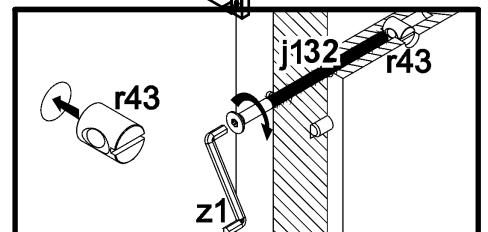
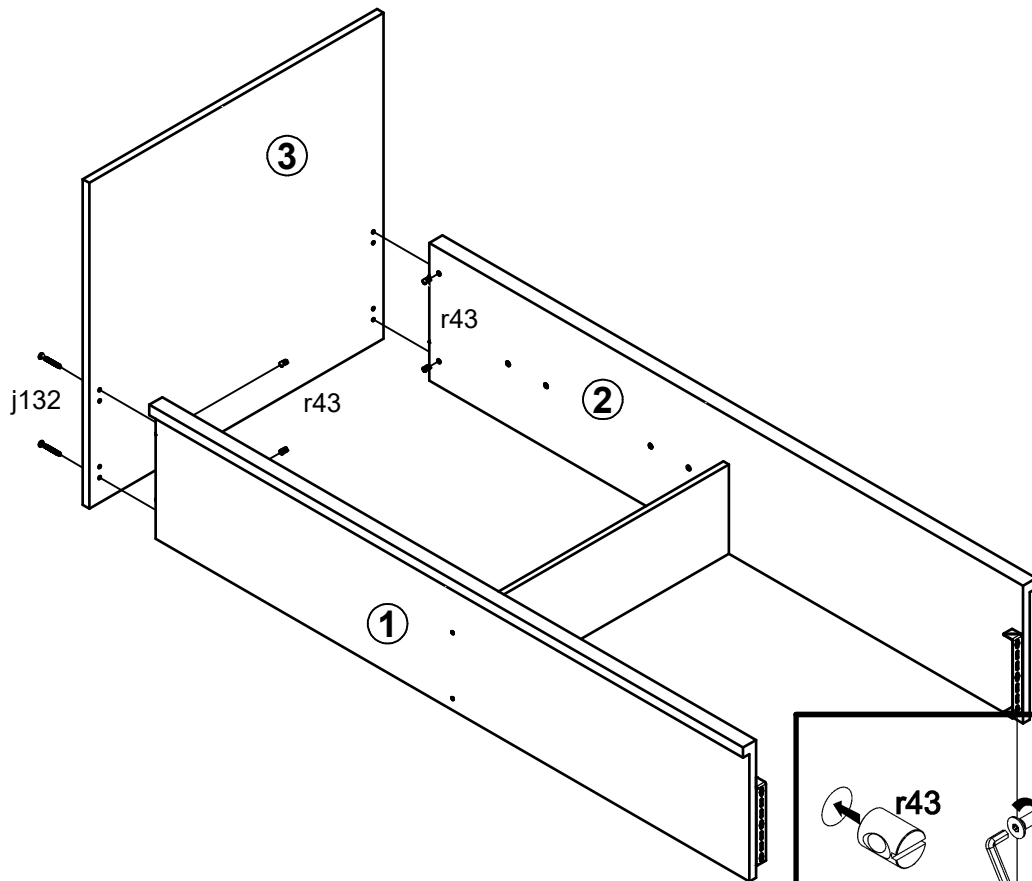
A	B	C	D	
1	S442-1001/A	2000	402	2/3
2	S442-1002/A	2000	402	2/3
3	S442-4010/A	992	950	1/3
4	S442-4011	992	404	1/3
5	S442-4012	900	260	3/3
6	S442-9004	898	989	3/3

**1** 

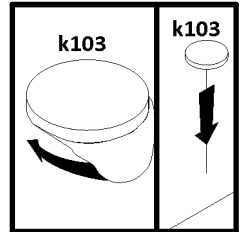
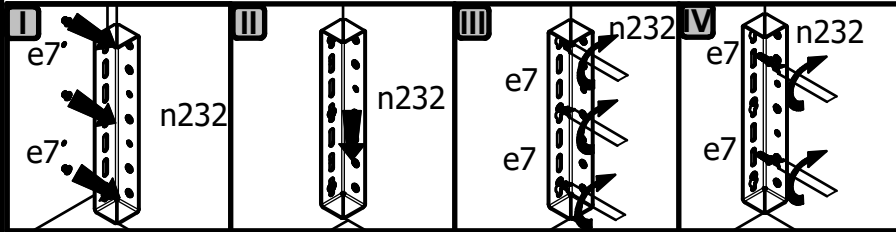
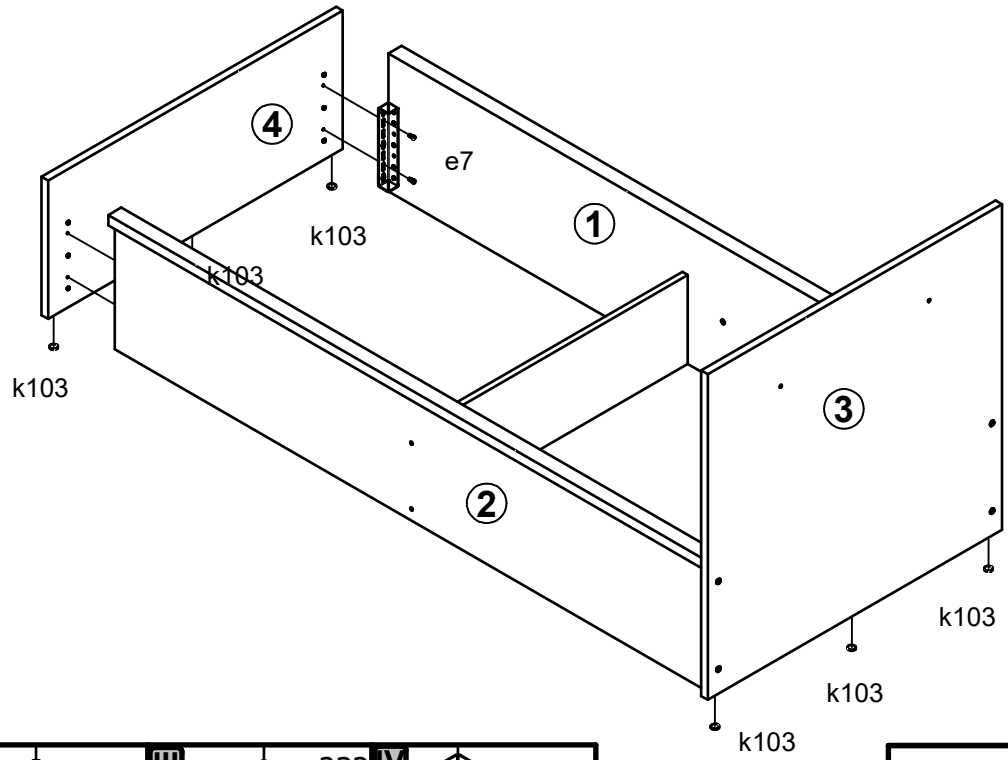
2



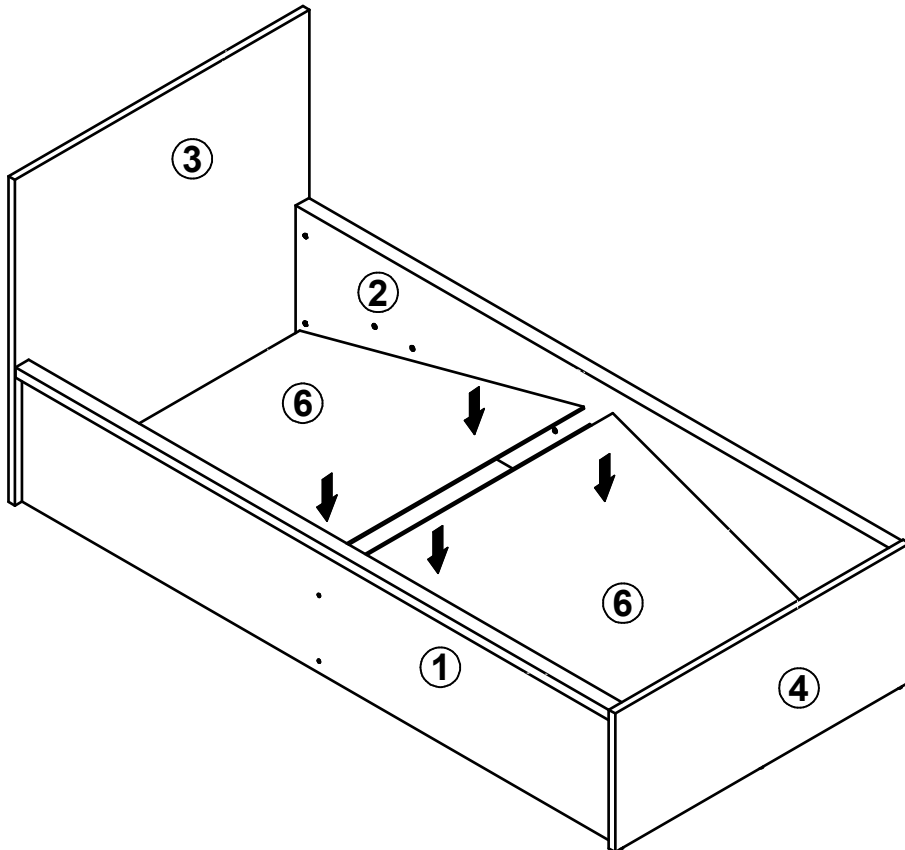
3



4



5



6

