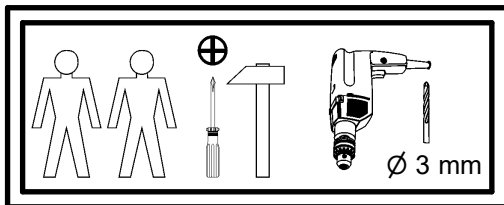
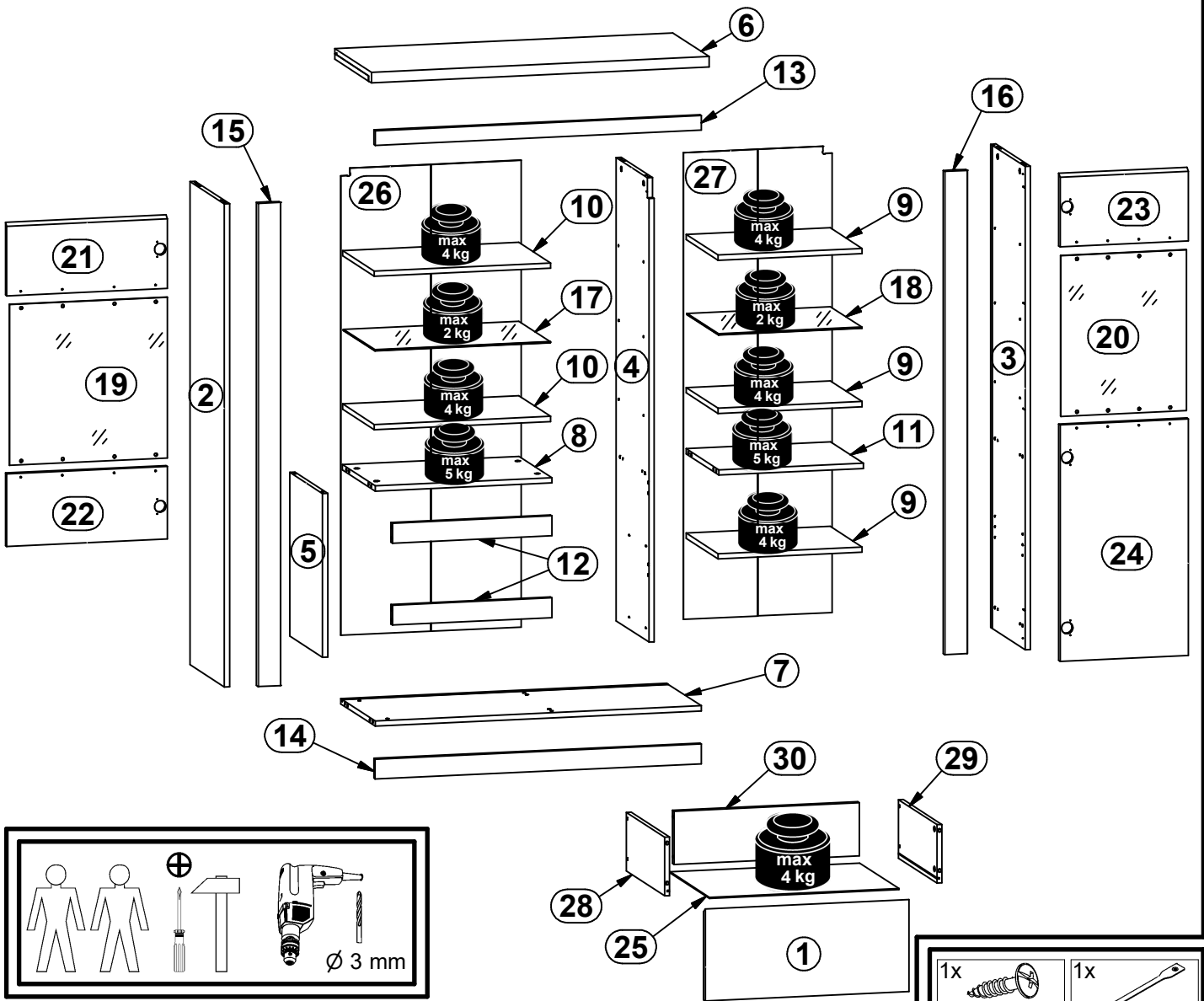
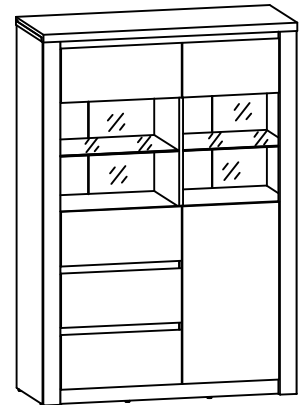
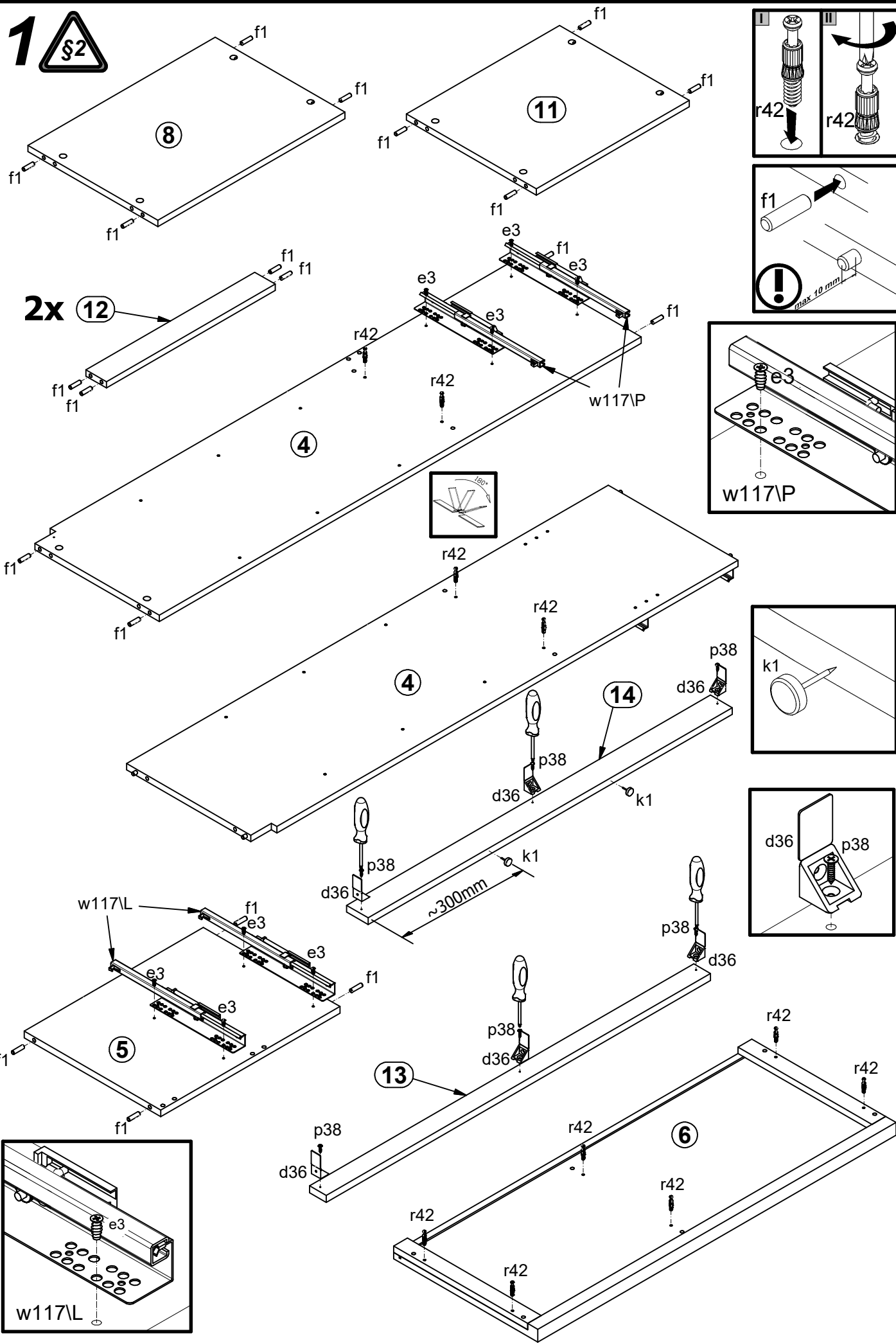


A	B	C	D	A	B	C	D
1	S486-0009	496	220	3/3	16	S486-5012	1463 70 2/3
2	S486-1026	1463	398	2/3	17	S486-5501	543 364 1/3
3	S486-1027	1463	398	2/3	18	S486-5502	444 364 1/3
4	S486-1028	1403	378	2/3	19	S486-5503	487 487 3/3
5	S486-1029	496	378	1/3	20	S486-5504	487 388 3/3
6	S486-2005	1043	420	1/3	21	S486-7007	496 220 3/3
7	S486-3017	1007	398	2/3	22	S486-7008	496 220 3/3
8	S486-3018	545	378	1/3	23	S486-7009	396 220 3/3
9	S486-3024	445	366	1/3	24	S486-7010	396 716 3/3
10	S486-3025	544	366	1/3	25	S486-9005	462 357 1/3
11	S486-3027	446	378	1/3	26	S486-9310	1413 557 2/3
12	S486-4011	492	60	1/3	27	S486-9311	1413 459 2/3
13	S486-4012	1007	44	1/3	28	ZQ6-511	350 140 1/3
14	S486-4013	1007	60	1/3	29	ZQ6-512	350 140 1/3
15	S486-5011	1463	70	2/3	30	ZQ6-5293	452 127 3/3

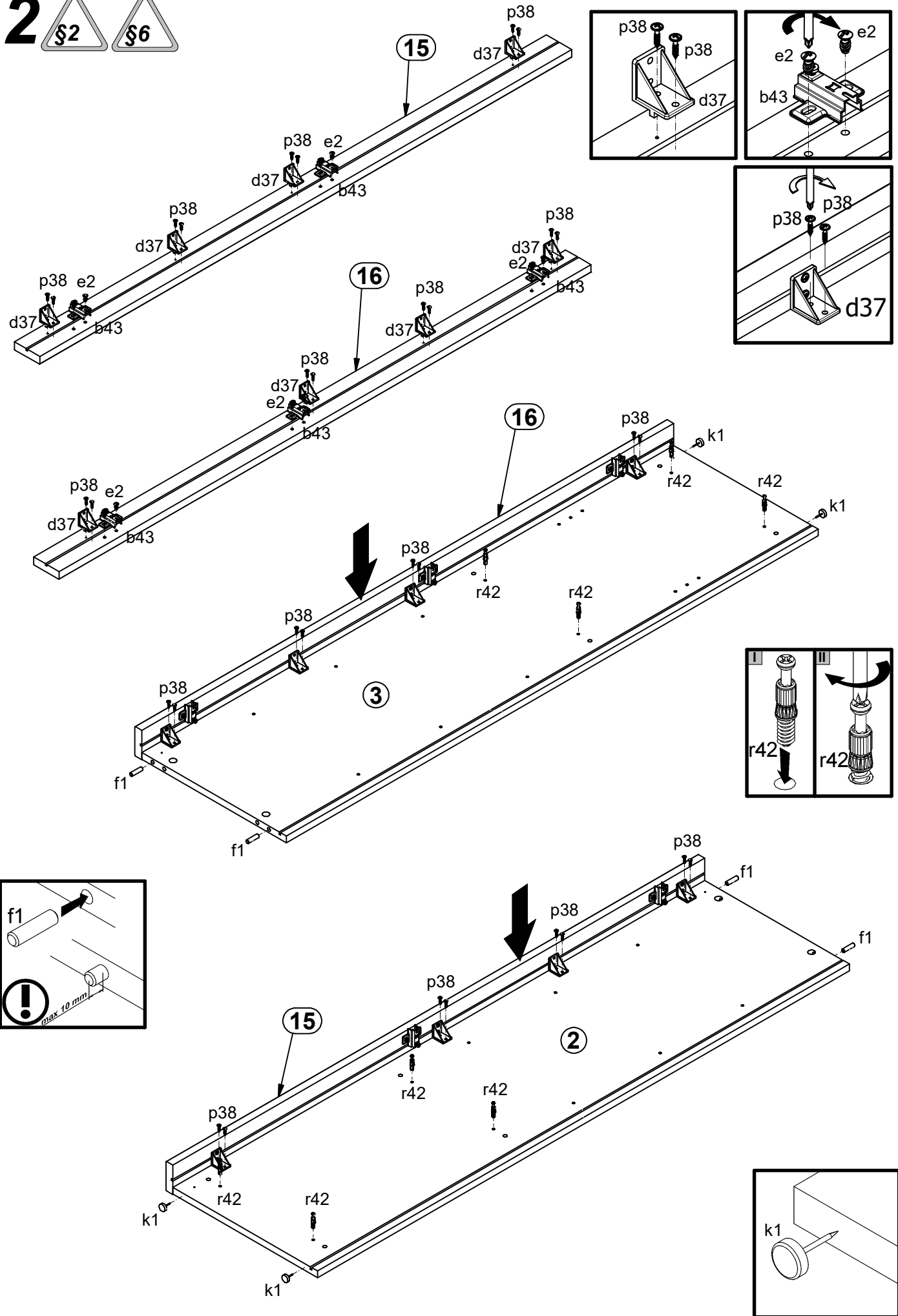


2x a133	5x a132	5x b43	20x d1 Ø5x17 mm	8x d3 Ø5x17 mm	6x d36	8x d37	1x p38 Ø3,5x16 mm	1x n26
8x e3 Ø6x13 mm	16x e47 Ø5x16 mm	32x f1 Ø8x30 mm	8x f25 Ø6,5x40 mm	6x k1	12x l2	7x n108 22x9,5x20,7 mm	2x e1 Ø7x50 mm	10x e2 Ø6,3x13 mm
10x p51 Ø3,5x15 mm	22x p55 Ø2,9x16 mm	18x r1 Ø15x12 mm #16	8x r15 Ø12x10,5 mm #12	26x r42 20/11	2x w117/L 350 mm	2x w117/P 350 mm	16x o54 Ø5,3/Ø8,3x4,8 mm	44x p38 Ø3,5x16 mm
							8x s68 Ø 20mm	1x z1 4 mm

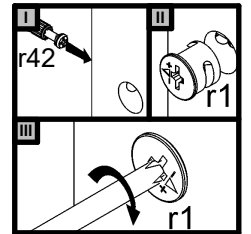
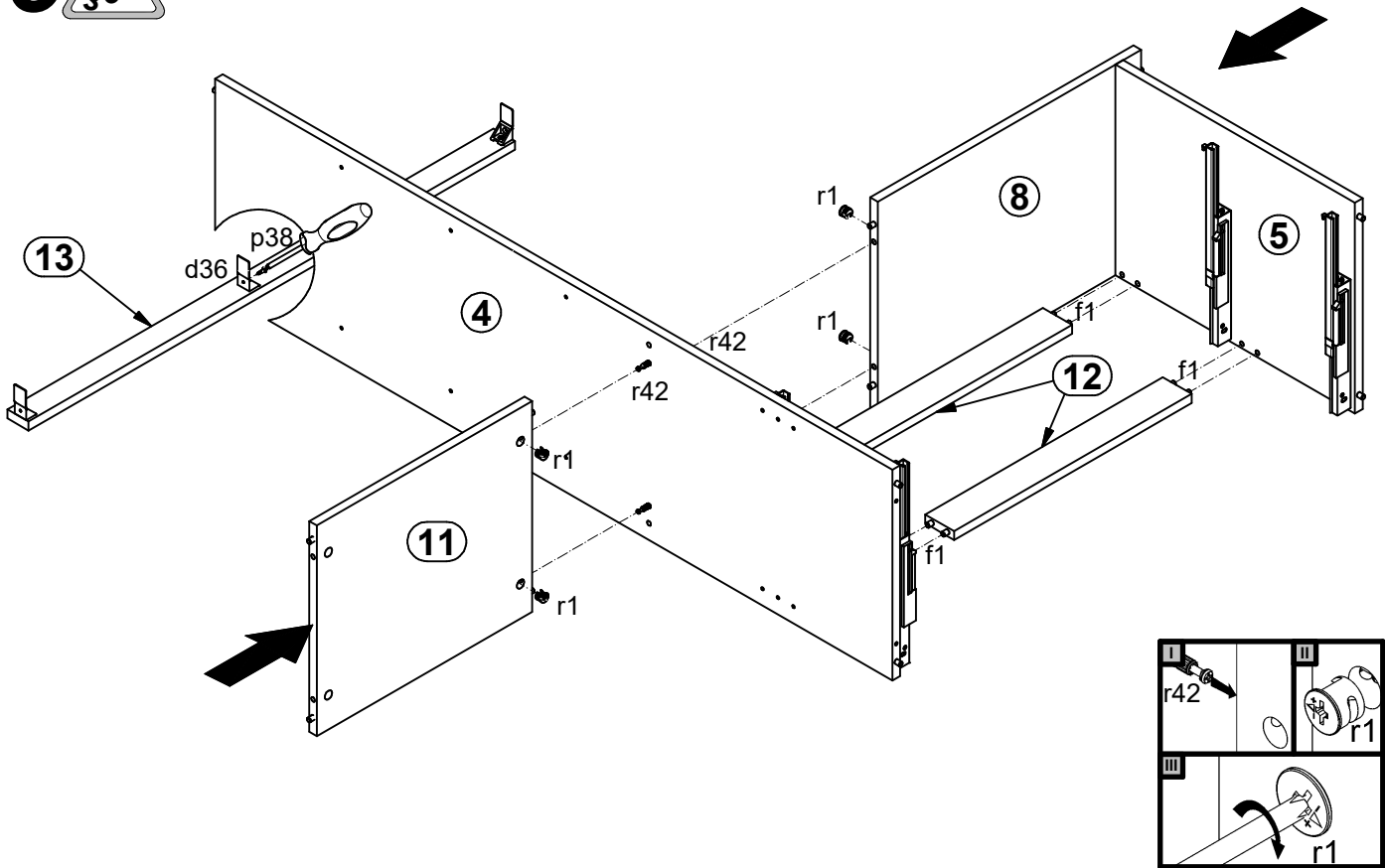
1 



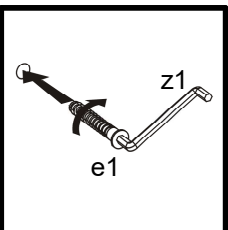
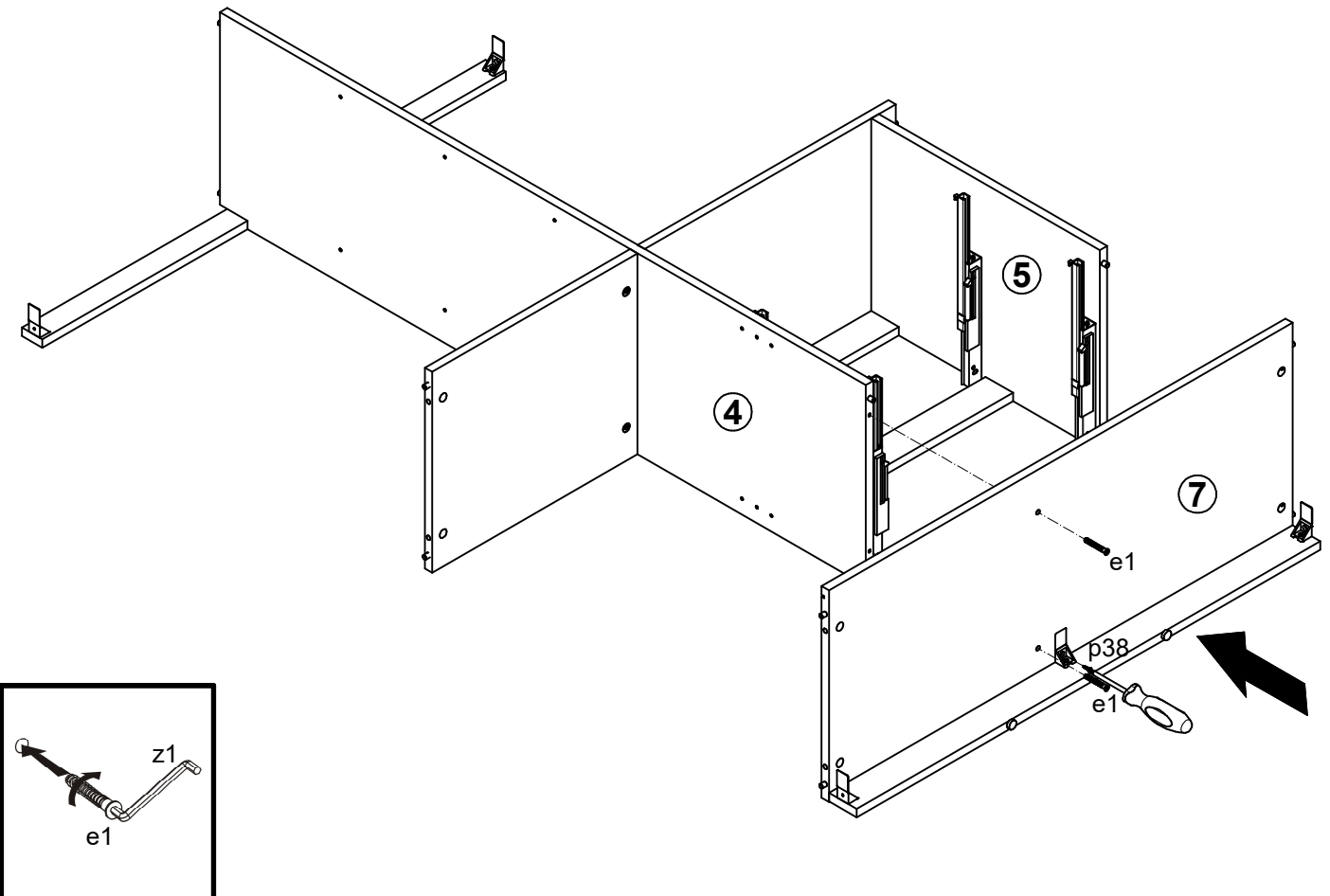
2  



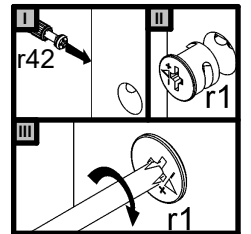
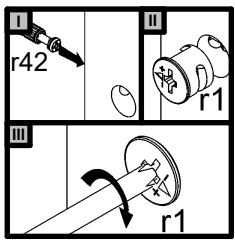
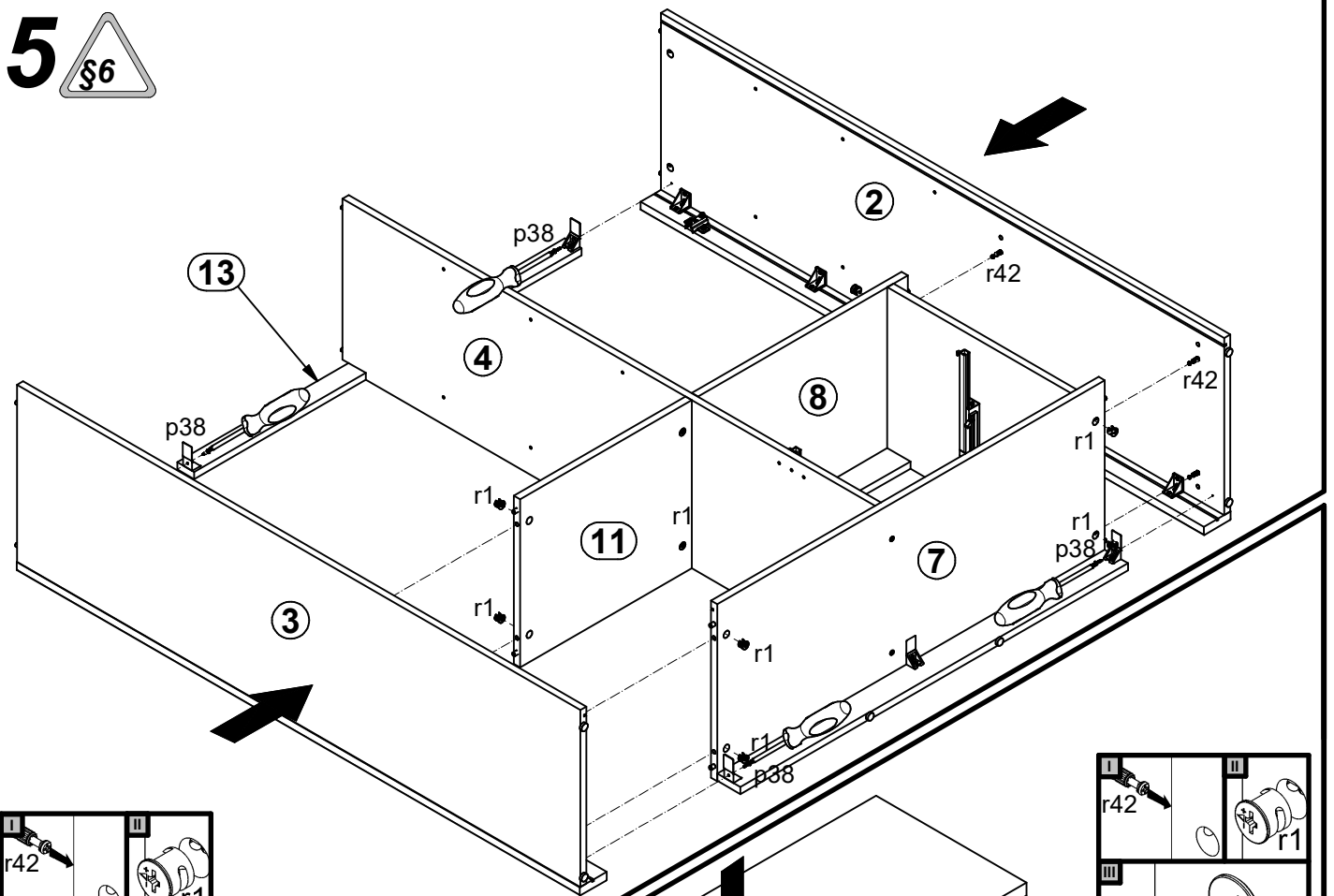
3



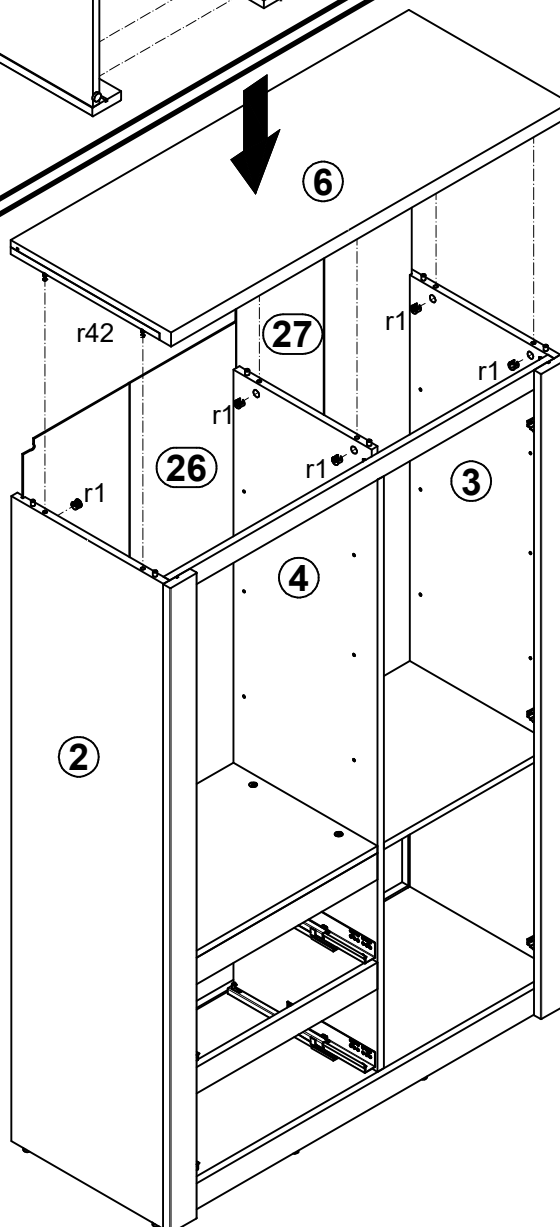
4

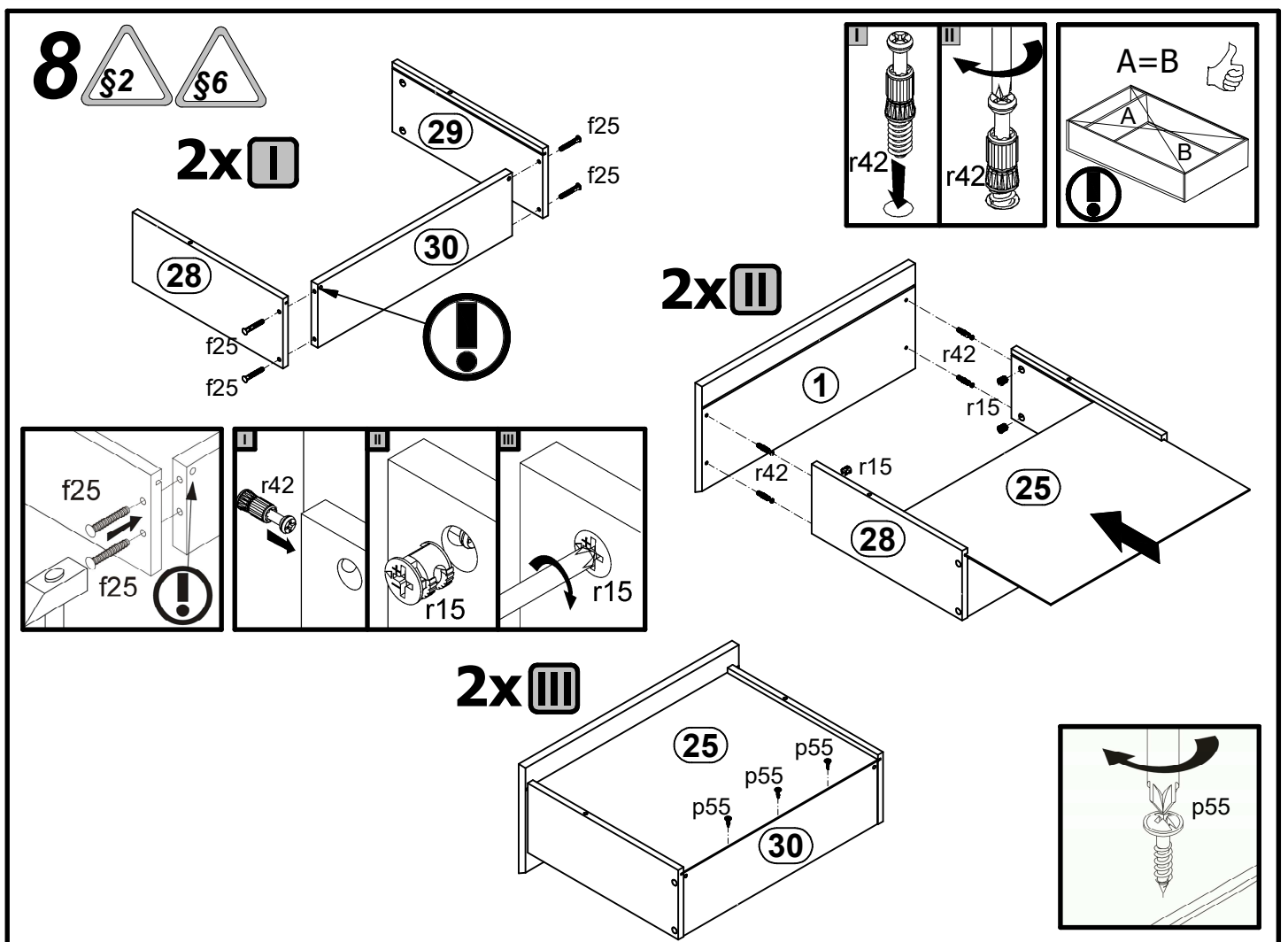
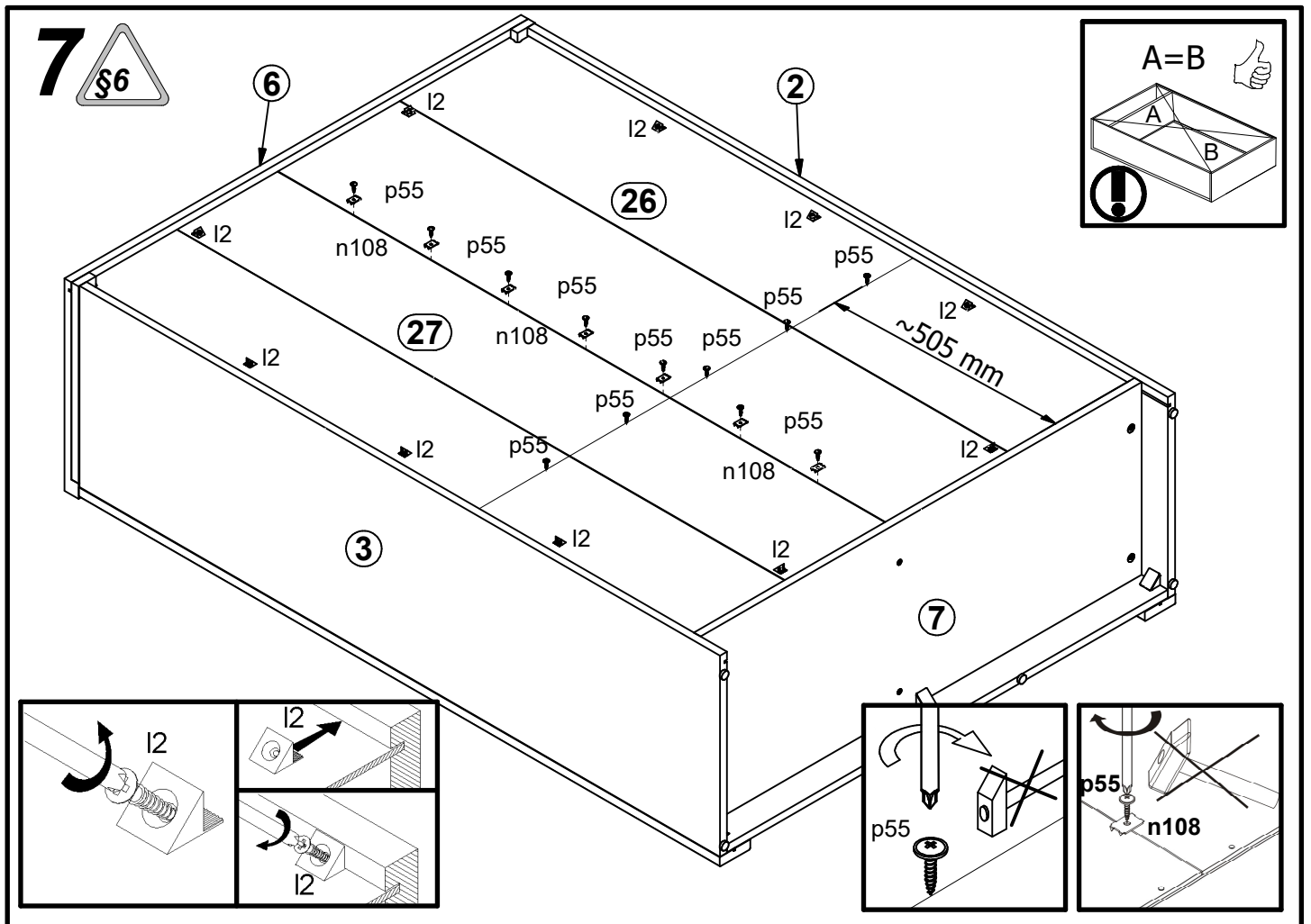


5 §6

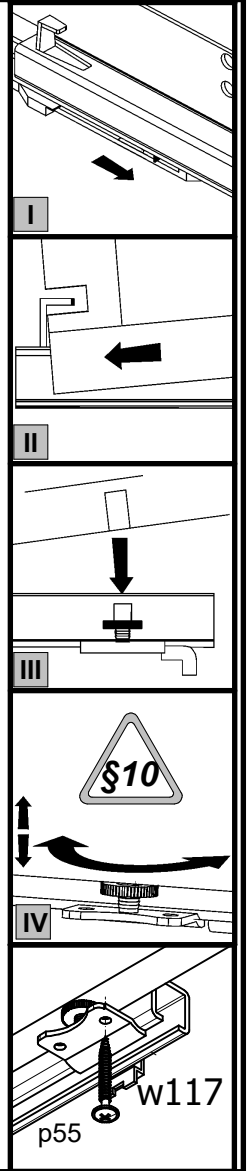
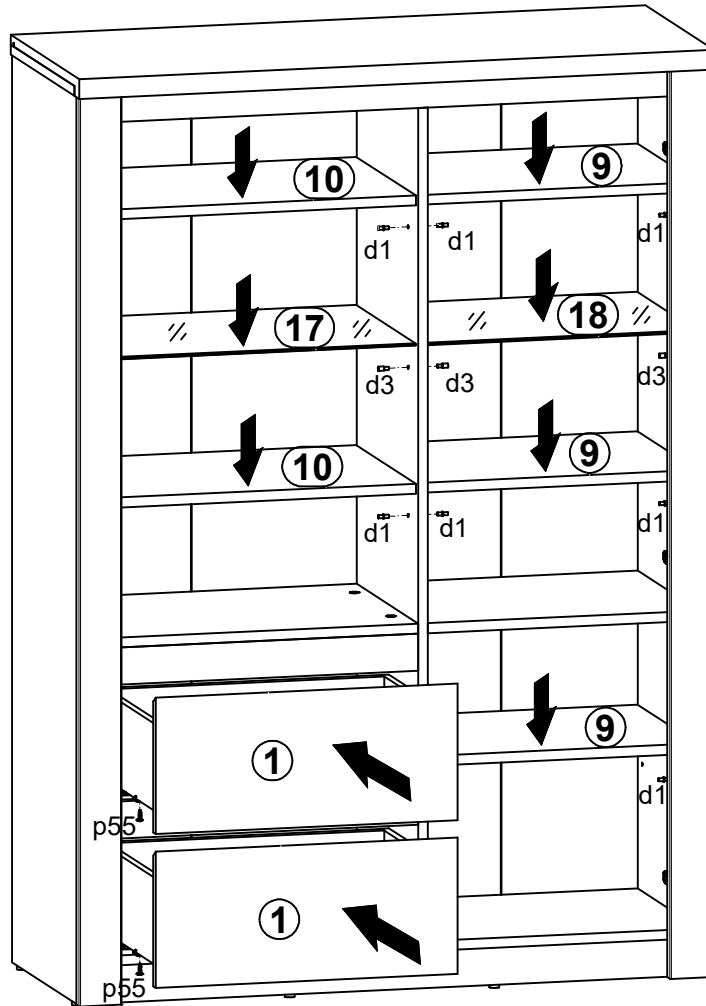
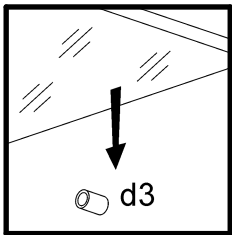
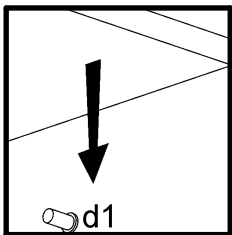
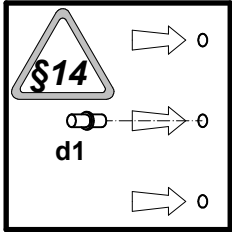
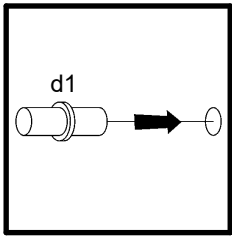


6 §6

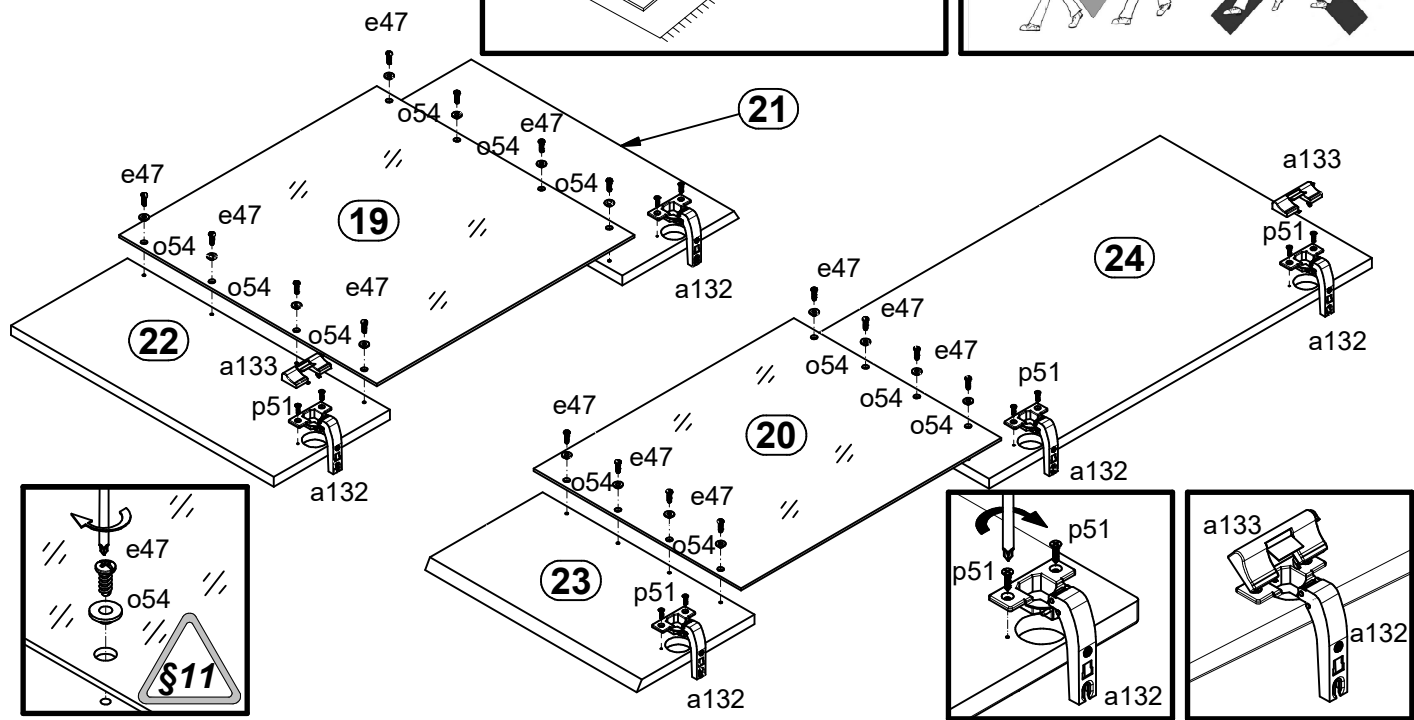
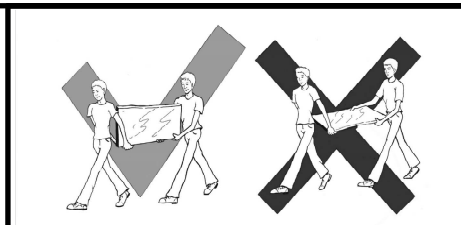
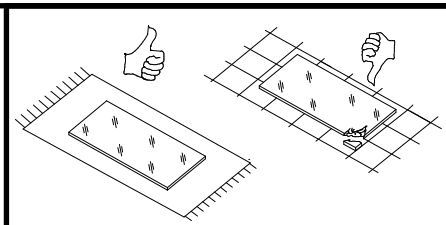




9



10



11

