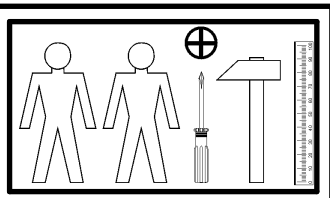
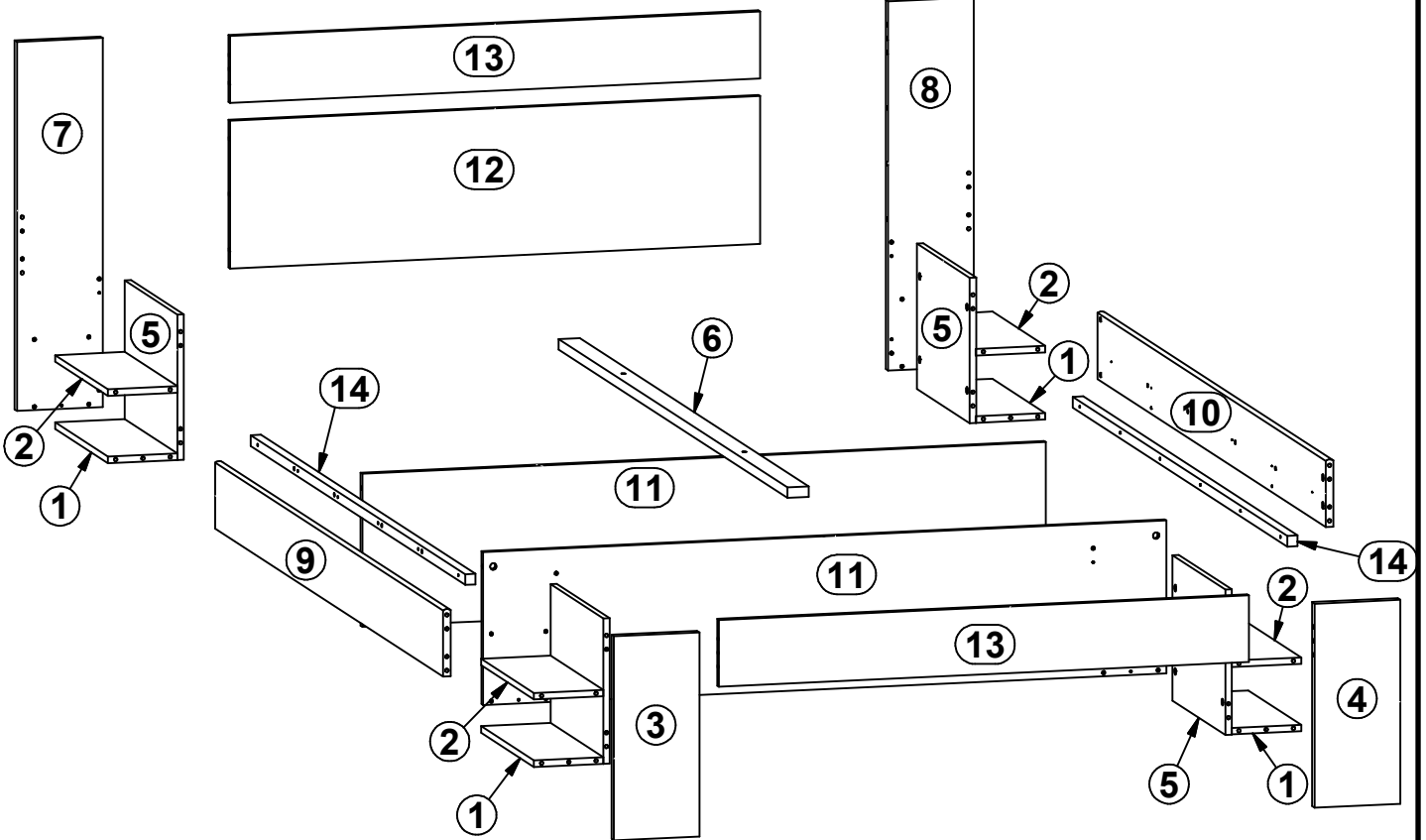
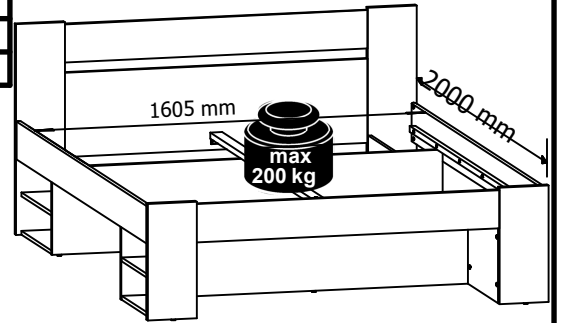
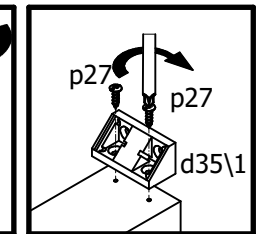
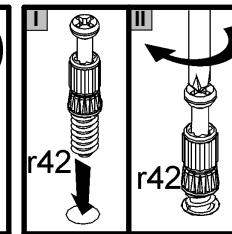
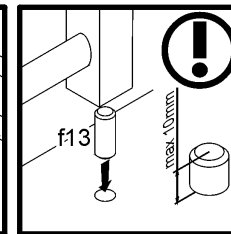
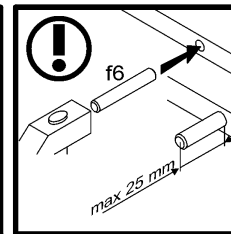
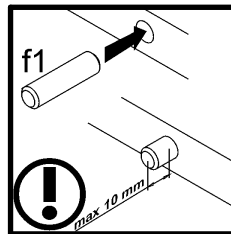
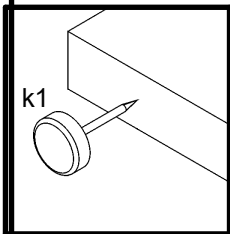
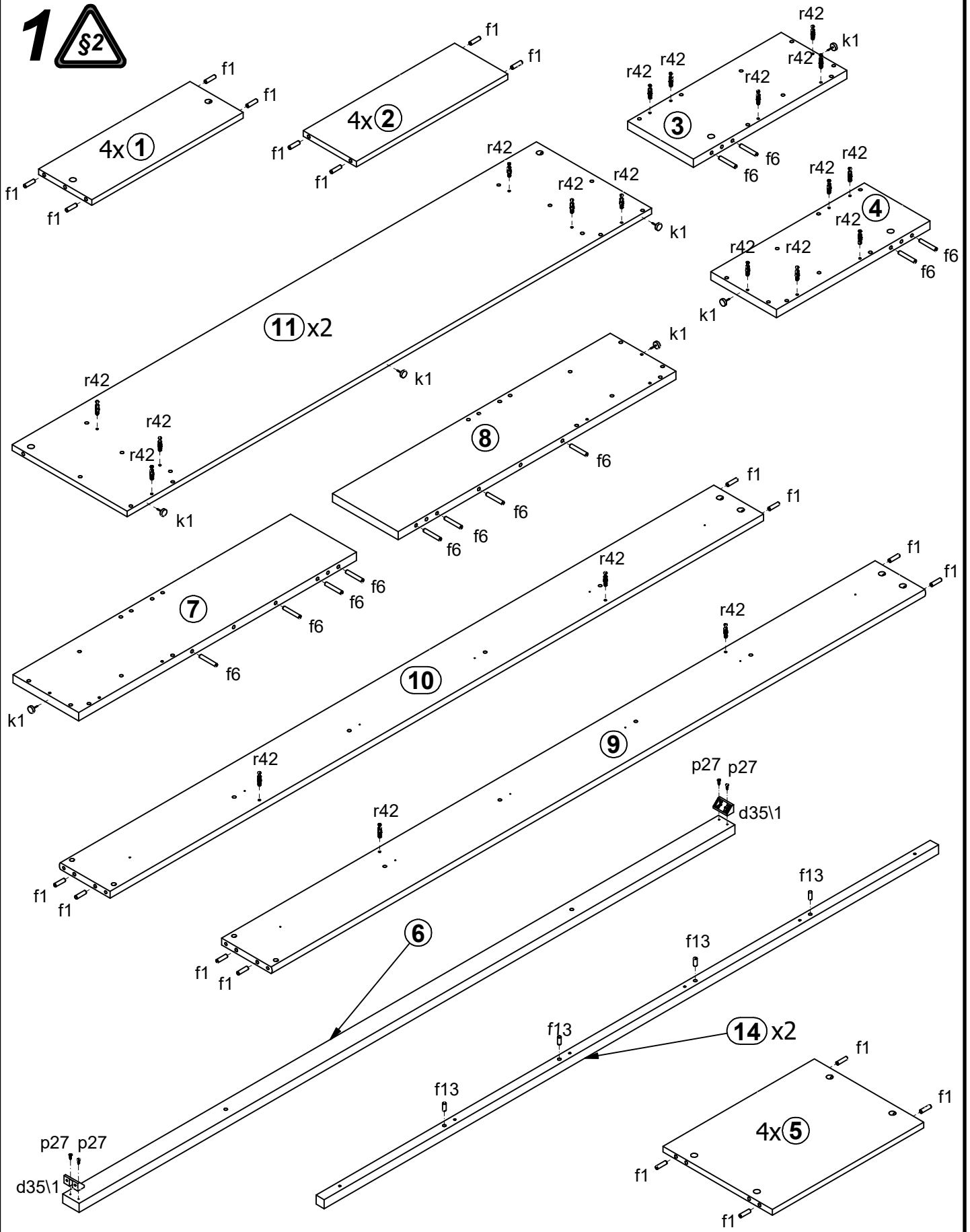


A	B	C	D	A	B	C	D		
1	S435-3028	463	163	2/2	8	S435-4041	850	201	2/2
2	S435-3029	463	163	2/2	9	S435-4044	2000	155	2/2
3	S435-4034	470	201	2/2	10	S435-4045	2000	155	2/2
4	S435-4035	470	201	2/2	11	S435-4049	1605	352	1/2
5	S435-4037	335	463	1/2	12	S435-4050	1245	340	1/2
6	S435-4038	2007	50	2/2	13	S435-4051	1245	154	1/2
7	S435-4040	850	201	2/2	14	S435-7006	1880	25	2/2

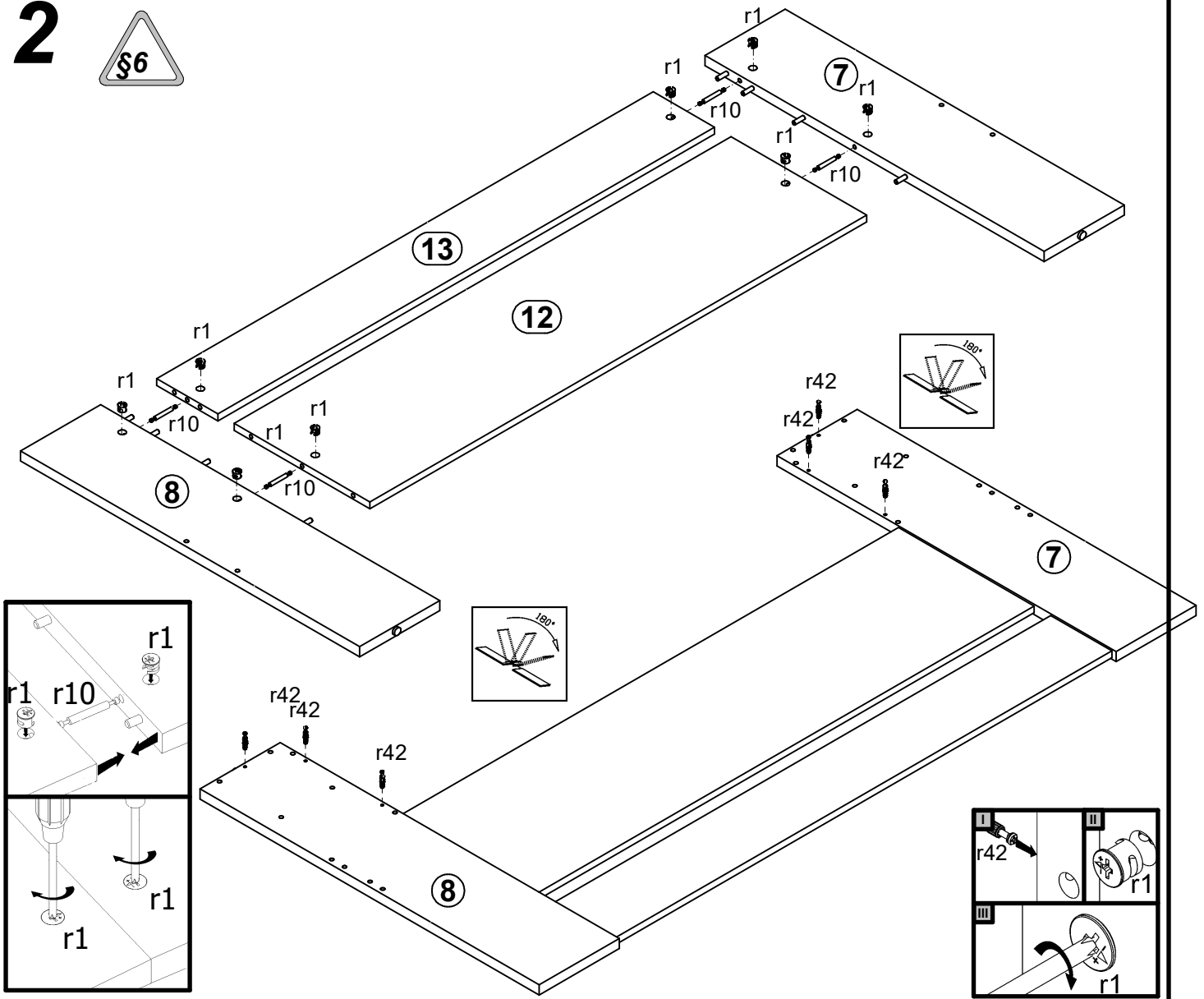


2x d35l1	2x d35l2	2x e8 Ø7x60 mm	56x f1 Ø8x30 mm	12x f6 Ø8x50 mm	8x f13 Ø8x20 mm	4x j144 M6x60 mm	10x k1	6x p6 Ø4x35 mm
12x p26 Ø4x35 mm	8x p27 Ø3.5x13 mm	44x r1 Ø15x12 mm #16	4x r5l1 Ø10x13 mm	6x r10	32x r42 20/11	14x s2 Ø16	1x z1 4 mm	

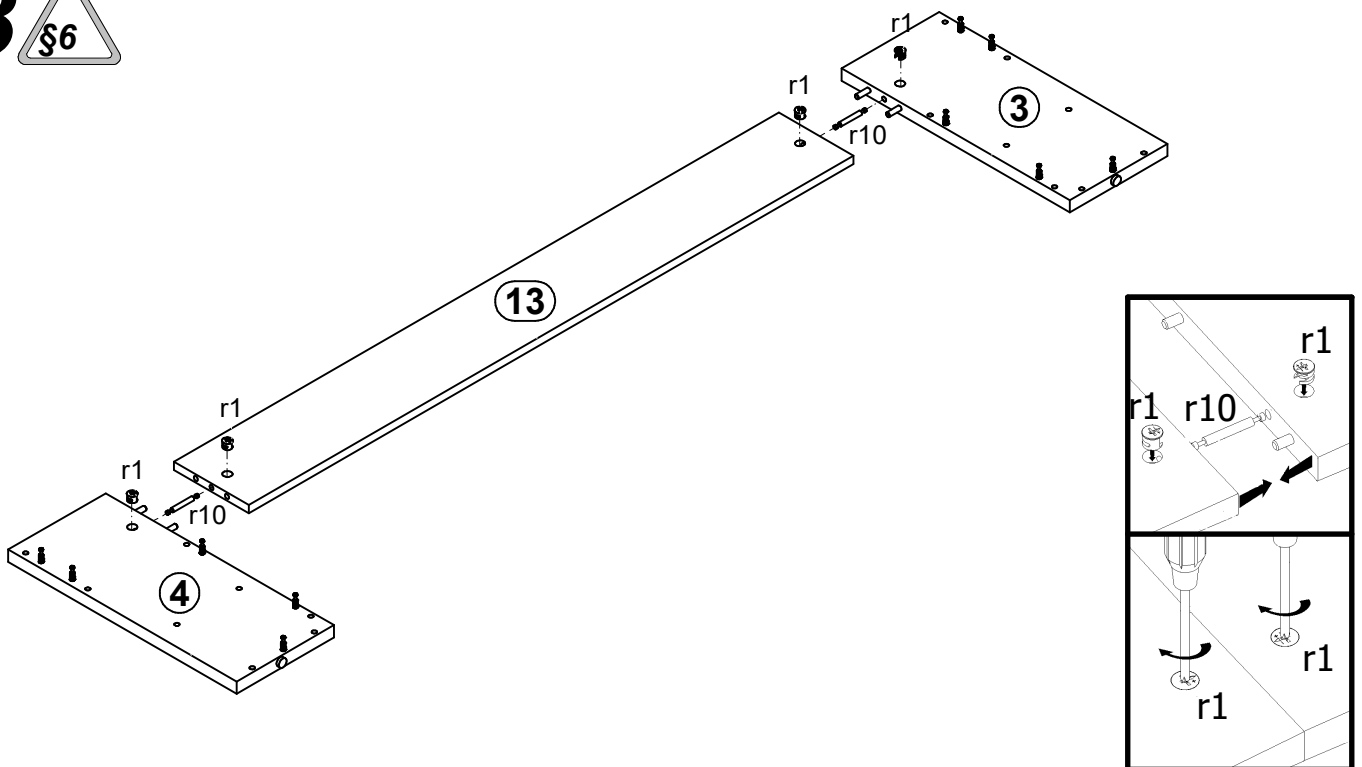
1 



2

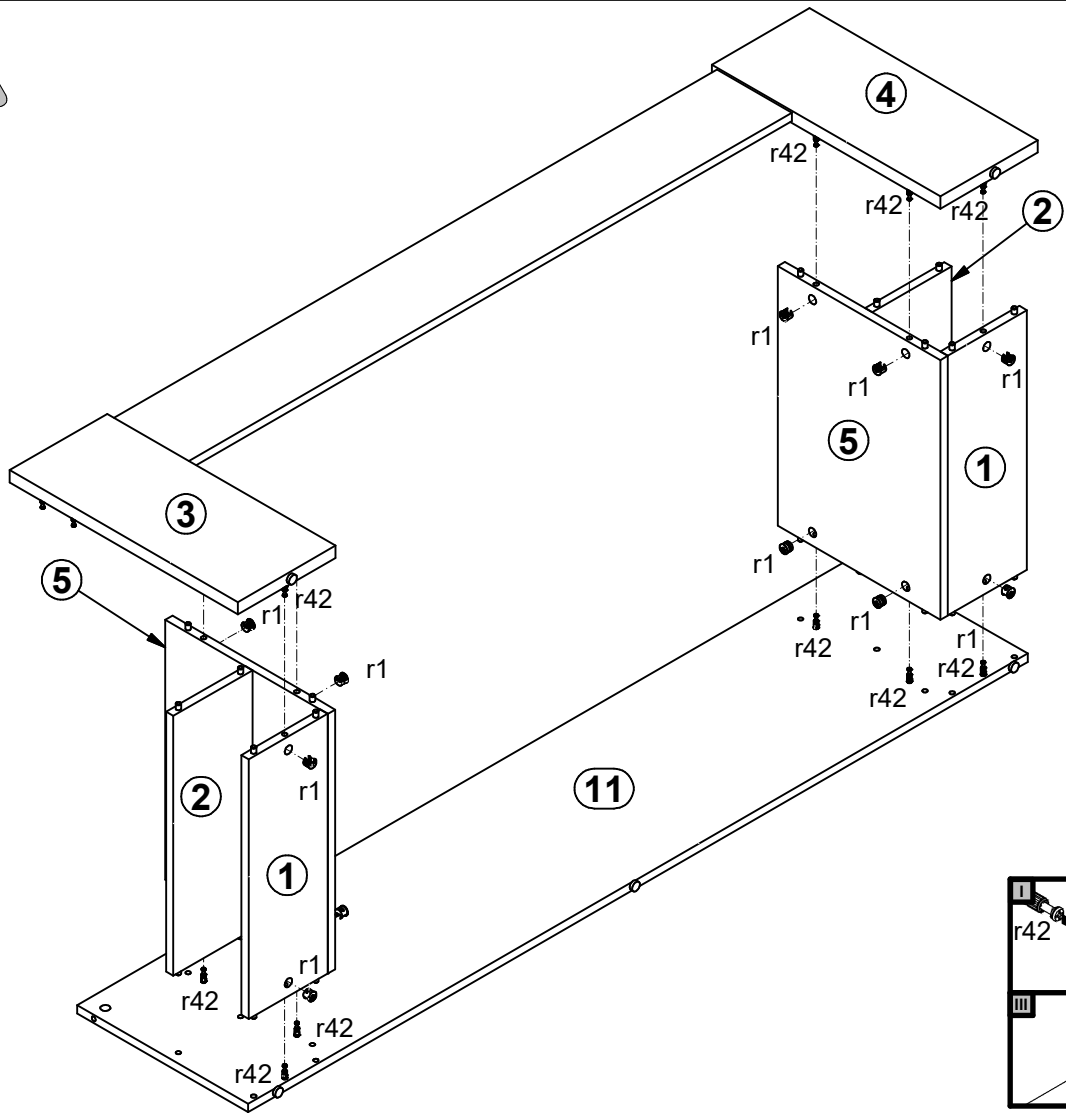


3



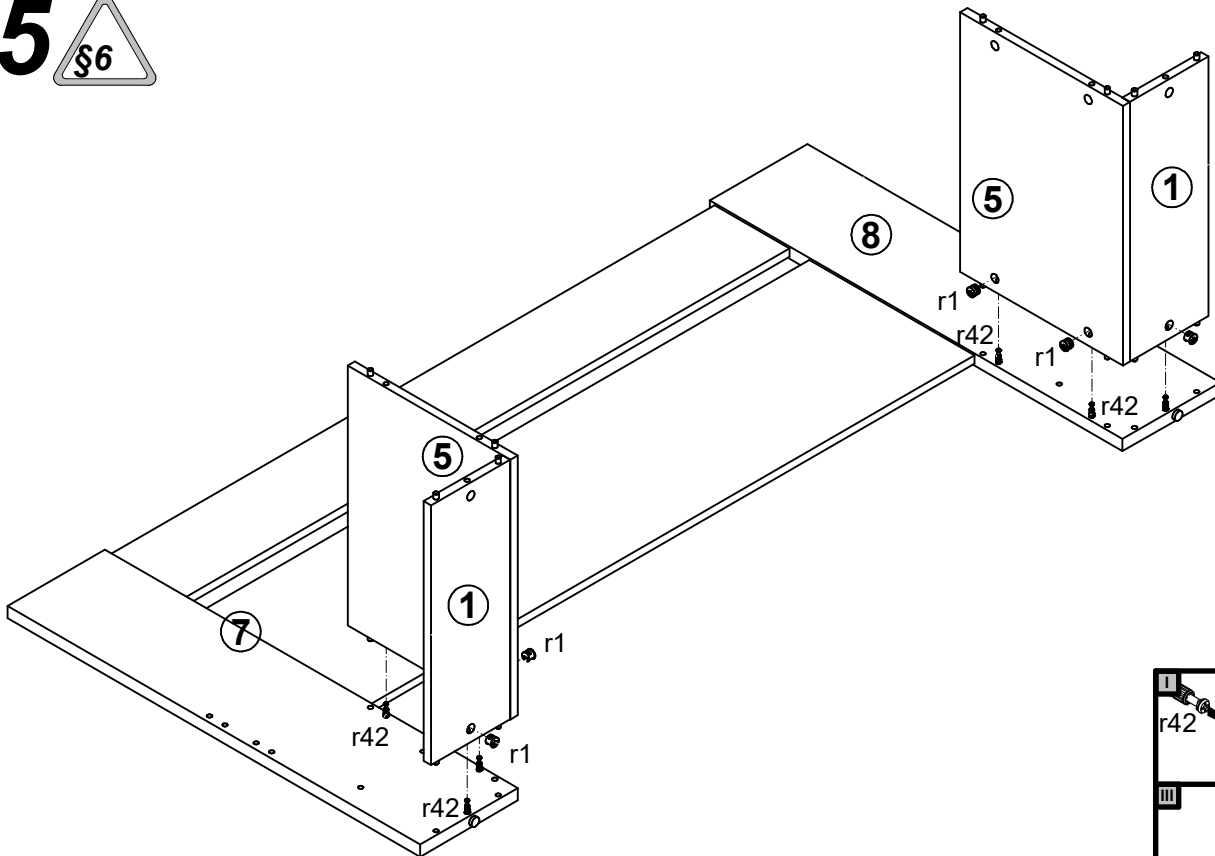
4

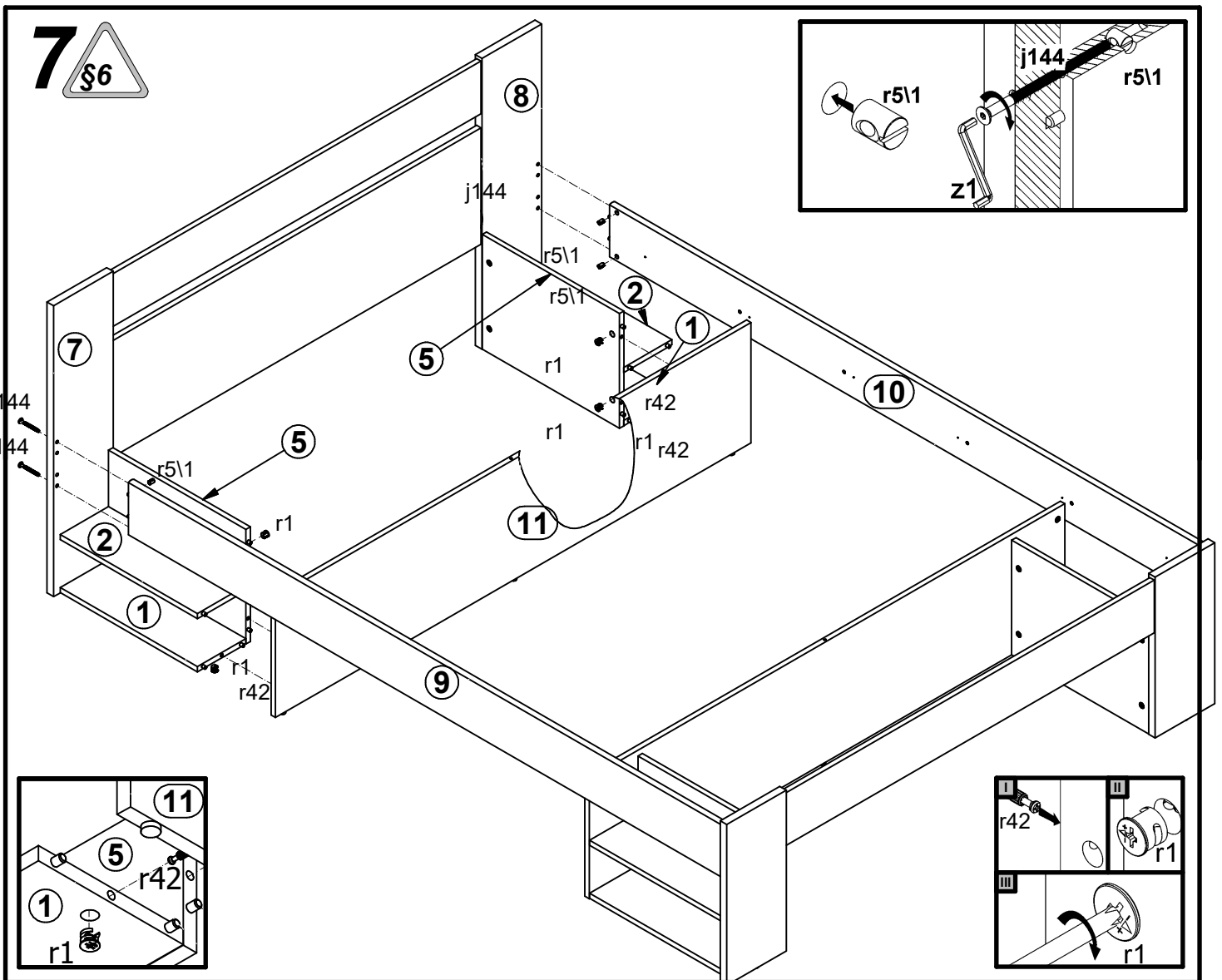
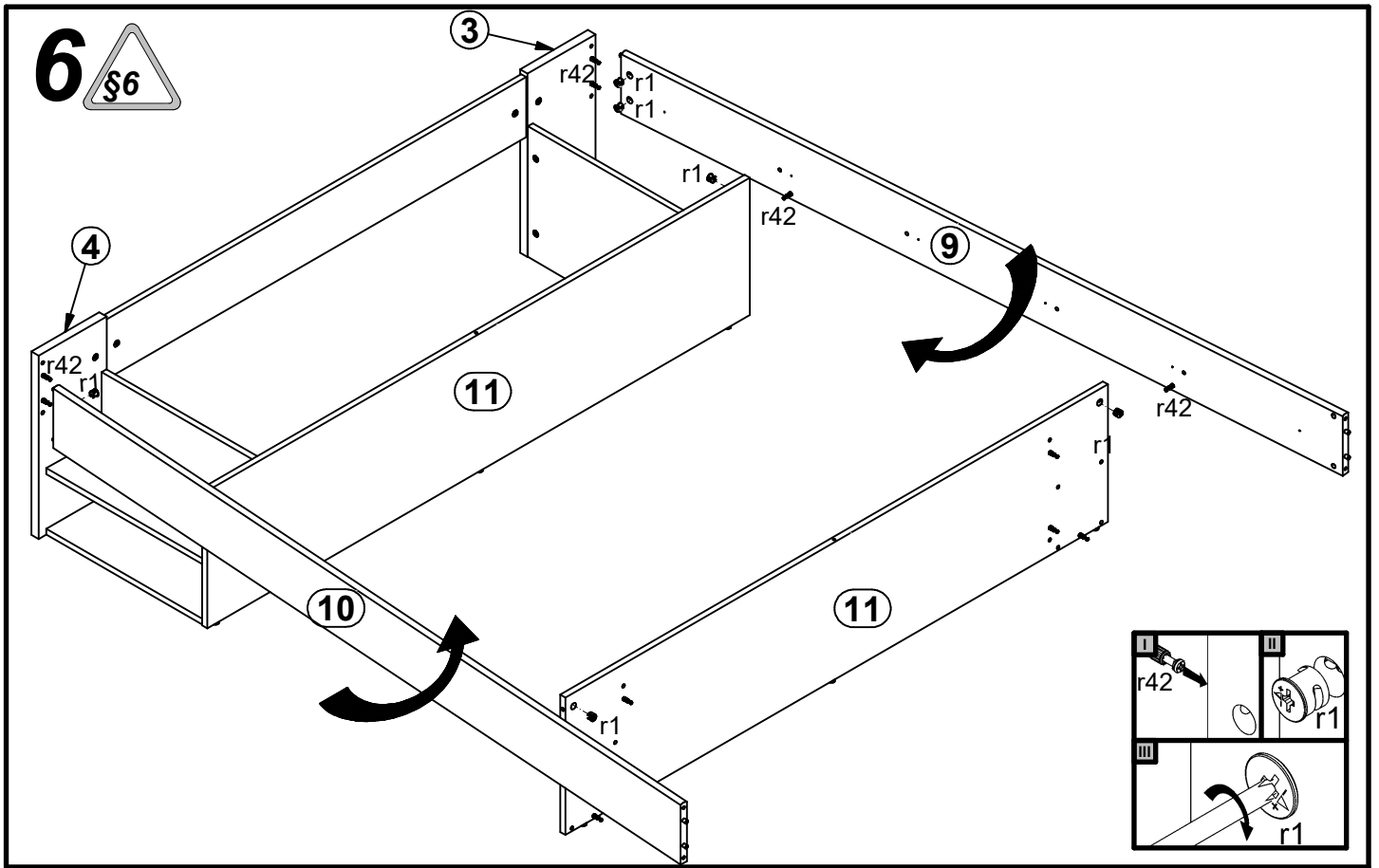
§6



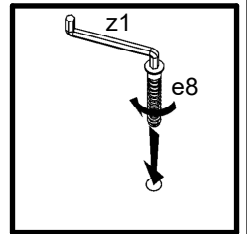
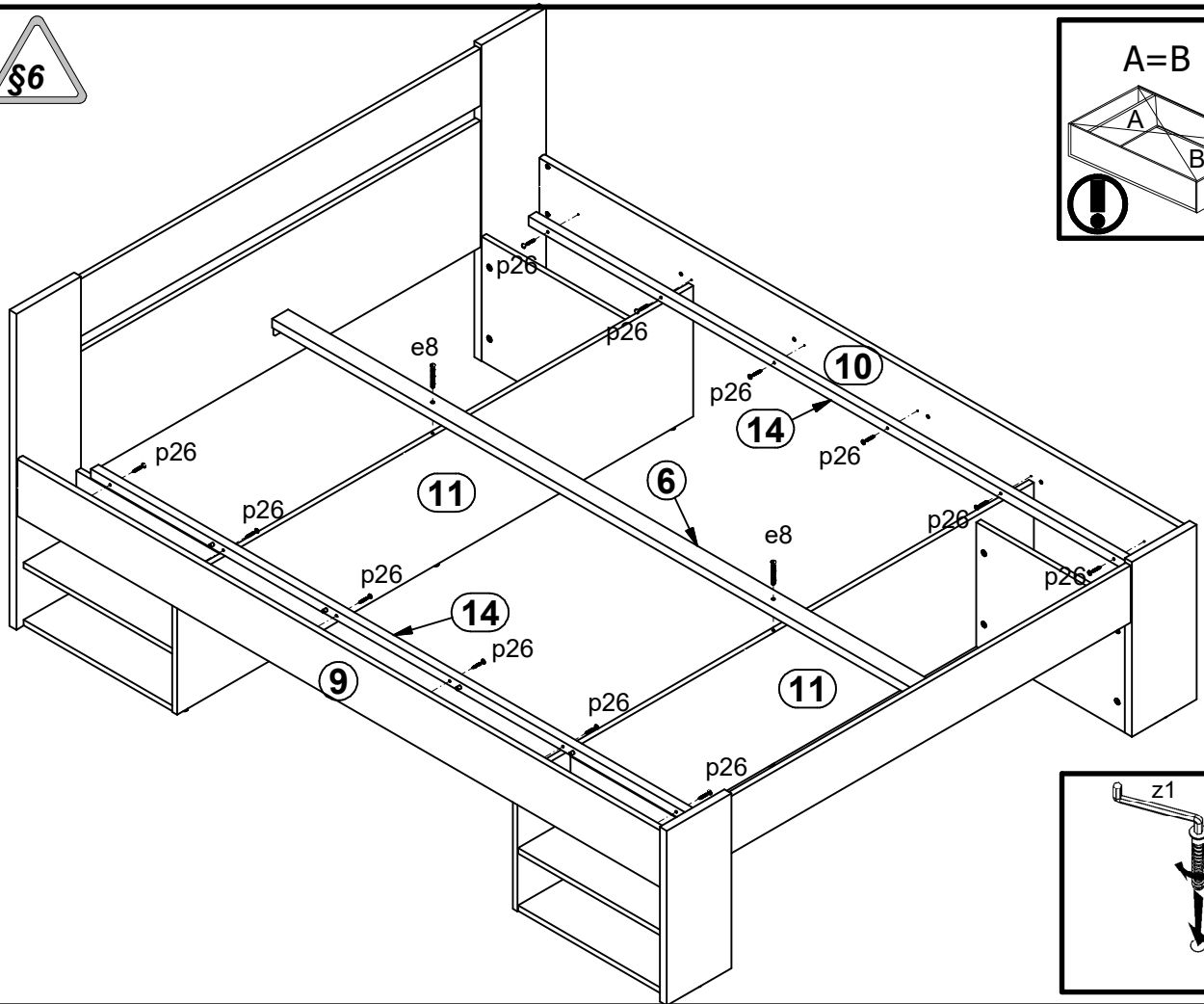
5

§6

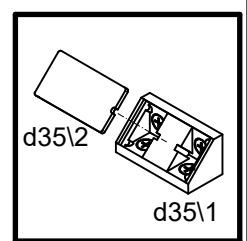
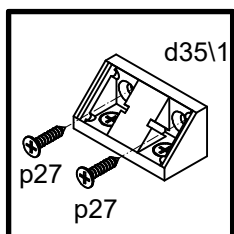
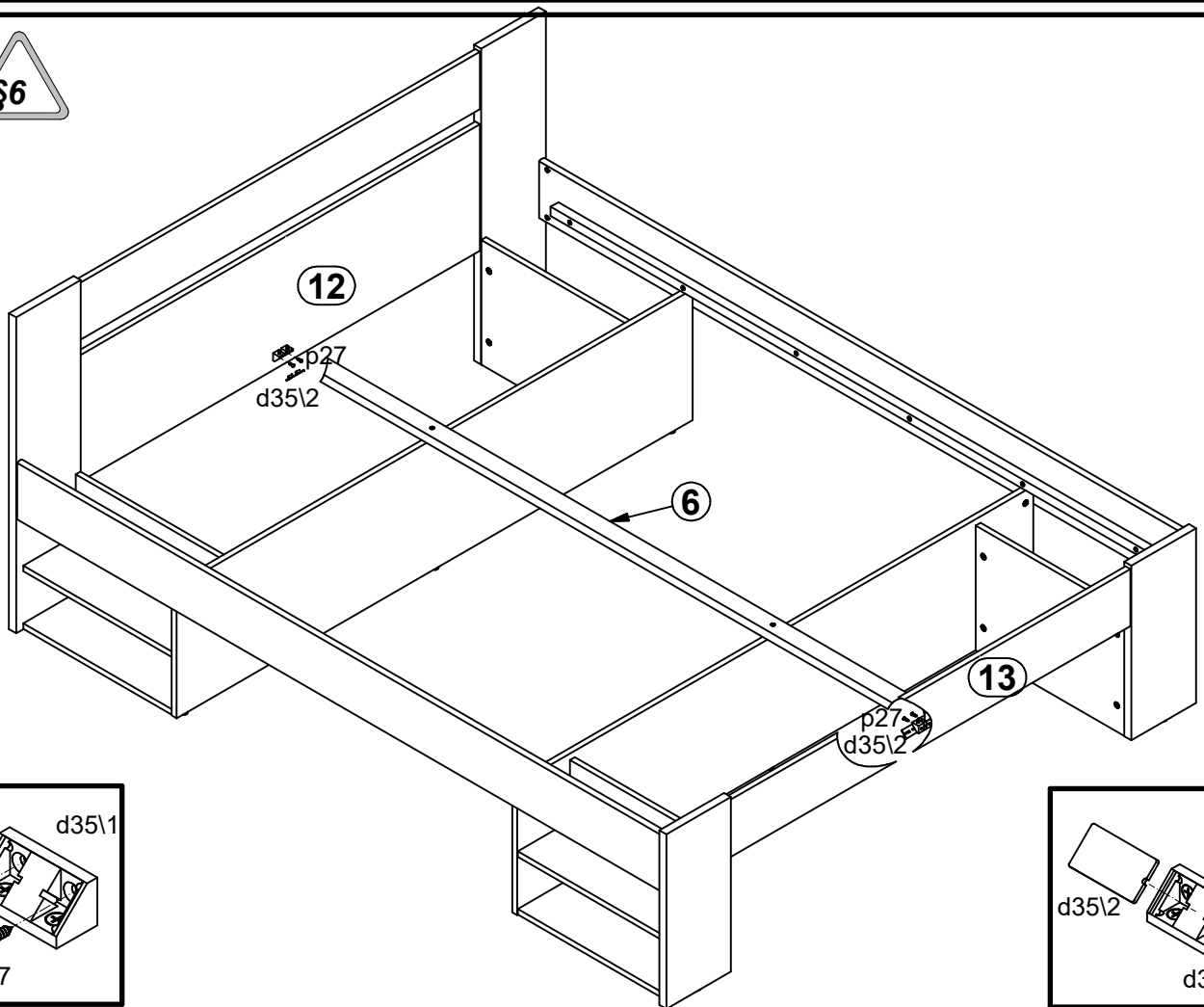




8 §6



9 §6



10

